

PergoTex II/LED

PergoTex II/LED | PergoTex II/LED Basic



List of contents

PergoTex II highlights	4	Posts	26
Product data	8	Glazing elements	33
Fabrics and frame colours	9	Vertical sun protection	36
LED lighting	10	Multi-section units	42
Control and operation	12	Installation options	48
Site measuring and planning	20	PergoTex II Basic	52

weinor PergoTex II/LED – weather protection and outdoor feeling



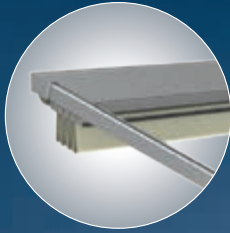
An open air feeling meets wind and weather protection – with the flexible pergola awning PergoTex II. When it is open, it offers an open air feeling like being in a convertible and an unobstructed view to the starlit sky in the evening or at night. When it is closed, it protects against rain and provides sun and UV protection. Thus, you can use your patio in two ways. The elegant, high-quality self-supporting construction has been designed based on the proven weinor technology and it can easily withstand even high wind loads. The PVC awning material has a very high tensile strength, can be extended and retracted by means of a drive and, on request, is also available as a translucent, light-transmitting version – for a magic atmosphere on your patio.

PergoTex II highlights



**Convertible folding system
in 2 versions:**

- PergoTex II
- PergoTex II Basic



New aluminium safety shield



**Integrated LED
spotlights**



**Multi functional
wall sealing profile**



**Strong and sturdy
drive system**



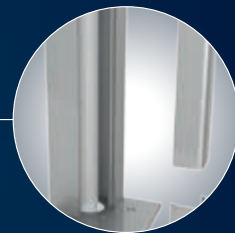
47 frame colours
and 9 trend colours



Noise reduced water drainage



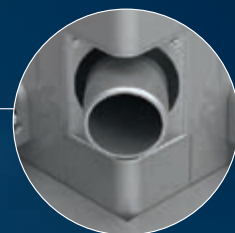
Controlled rainwater collection
and drainage



Straightforward, functional
design – posts with integrated,
easily accessible water drainage



Modular system



Variable water outlet

Product benefits in detail

The robust pergola Awning PergoTex II provides excellent weather protection in strong winds and heavy rain. To give the perfect "convertible" feel, it can also be opened completely. Here are the product benefits at a glance.



Convertible folding system – rain-proof, wind-resistant, retractable

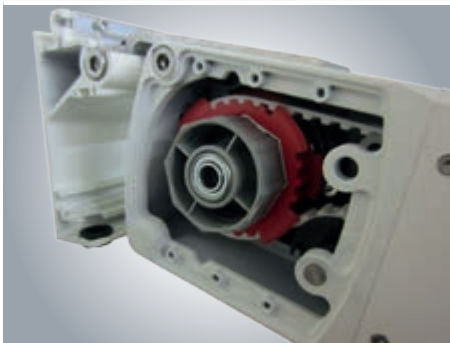
- waterproof: light-proof or light-transmitting PVC fabric with high tensile strength
- pitch from 0° to 25° possible
- excellent water drainage from a pitch of 8° (no risk of water pooling)
- elegant design without screws in directly visible areas
- robust: suitable for wind loads up to Force 6 on the Beaufort scale (approx. 45 km/h)
- easy installation: only a few tools required, with pre-assembled adhesive seals
- easy sealing of wall profile (similar to Terrazza)



Rain gutter and posts – controlled rain drainage

Controlled water drainage – easy run off from the fabric safety shield through the side channels into the front gutter. Reduced fabric soiling.

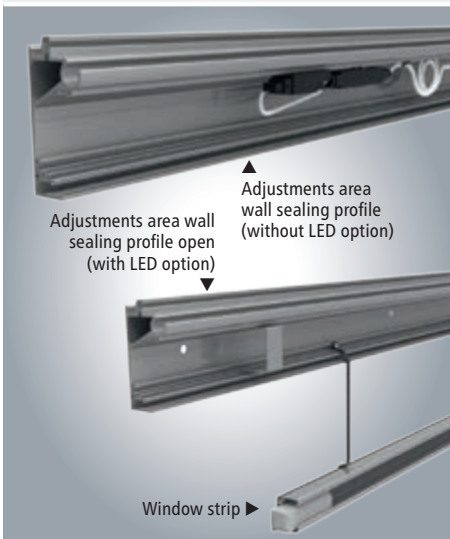
- two-part posts:
 - cables for add-on products can be installed in the posts
 - water drain pipe can be easily accessed for servicing
- lateral small gutter along the side channel with separate groove for cable routing



Sturdy drive system – smooth operation

The proven pull system with heavy-duty and durable lasting components ensures infinitely, smooth extending and retracting.

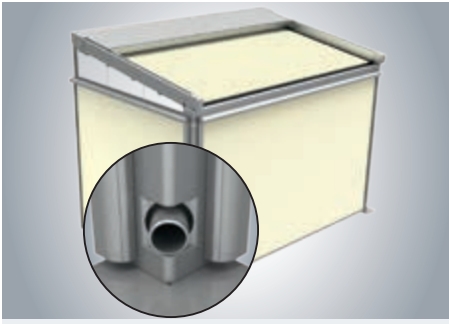
- highly resistant toothed belt with ball bearings
- especially quiet-running rollers
- almost all visible covers are made of aluminium cast in the unit's colour



Wall sealing profile – easy access for adjustment

The wall mounted sealing profile is used to attach the side channels, rain protection shield and electronics. This makes installation and adjustment considerably easier. Receivers and power packs are easily accessed for future servicing, and LED components are also hidden. When the LED option is ordered the transformer/receiver bar (window strip) is supplied to attach the LED components.

In the case of the order option "without LED", the wall bracket is equipped with the mounting plate, but is delivered without the transformer/receiver bar. The order option "LED" additionally includes the transformer/receiver bar (window strip) to attach the LED components.



Variable water outlet

The square shapes of the posts ensure easy measuring and fitting of the glazing elements.

The two-part post design makes it possible to individually adapt the height of the water outlet during the assembly on site.



New high-quality aluminium safety shield with separate guttering

- very robust aluminium fabric safety shield designed as a chamber profile (noise-reducing during rain)
- optionally, the fabric safety shield can also be strengthened for higher snow loads
- rainwater runs off via the front gutter to the right and left into the lateral gutters along the side channels in a controlled manner
- easy to clean (smooth surface)
- reduced soiling of the fabric due to the guttering on the aluminium safety shield



HighPower LED spotlights – for an amazingly beautiful atmosphere

On request, dimmable HighPower LED-single spotlights can be integrated into the transoms.

- invisible cable routing in the fabric seams
 - LED spotlights dimmable with BiConnect radio control
 - 30,000 LED light hours with lowest energy consumption
- (85% electricity saving compared to halogen technology)
- fixed spacing:
 - 500 mm between the LED spotlights on the transoms
 - a maximum of 12 LED spotlights per transom
 - a maximum of 4 staves with LED



Modular system – even more convenience and better weather protection

Easy to add and retrofit elements in the PergoTex II system:

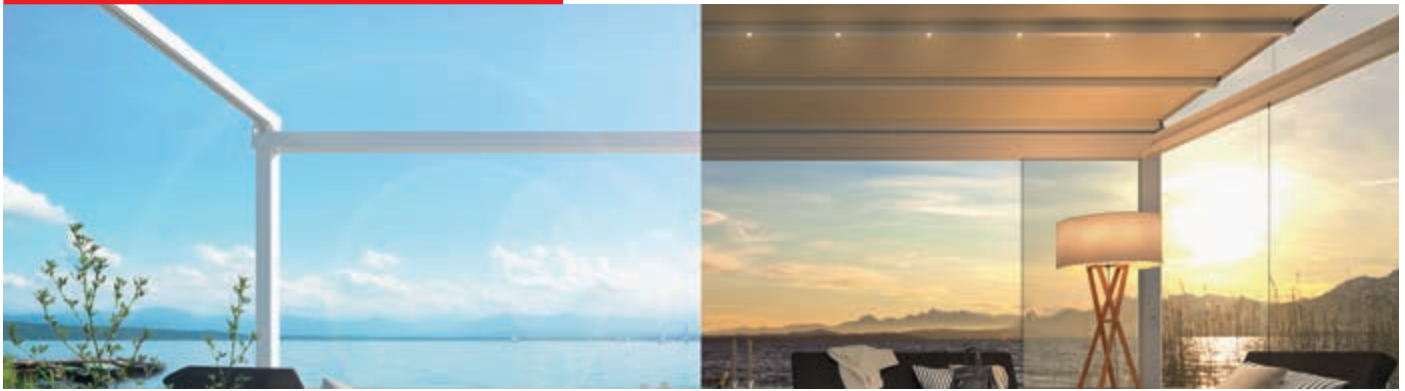
- all-glass glazing elements
- vertical awnings
- the dimensions and shape of the guttering and the posts have been designed in such a way that glazing elements (GE) can be mounted without additional profiles
- the whole unit is completed by smart wiring concepts tailored to the products



Preparation for mains connection (3 order options)

For all options, the wiring for the power supply is integrated into the components so that it is weather-proof, concealed and visually appealing.

- preparations for mains connection
 - for the installation of the VertiTex vertical sun protection on the guttering (front right/left)
 - for the installation of the lateral VertiTex
 - in the guttering for optional electricity consumers



- standard
- optional
- unavailable

weinor PergoTex II versions

	PergoTex II	PergoTex II Basic
Technology		
Max. width of 1 unit (1-unit system)	7,000 mm	7,000 mm
Max. width of 2 units (multi-section unit)	14,000 mm	14,000 mm
Max. projection	6,500 mm	6,500 mm
Fabric folding height (bottom edge of folding up to top edge of stave)	max. 300 mm	max. 300 mm
Post dimensions	115 x 115 mm	without posts, without rain gutter
Roof pitch as sun protection	0° to 25°	0° to 25°
Roof pitch also as rain protection	from 8°	from 8°
Motor drive	● as standard	● as standard
Installation options	wall mounting	installation on walls
Safety shield depth (standard)	782 – 1,237 mm	—
Design		
47 standard frame colours	●	●
Over 150 other RAL colours	○	○
9 trend colours	●	●
Other structural colours	○	○
Collection	see p. 9	
Accessories		
Tempura heating system	○	○
LED light bar	○	○
Vertical glass elements	○	○
Vertical sun protection	○	○
Radio control	○	○
BiSens SW-230 V sun/wind sensor	○	○
Quality		
Load	The PergoTex II has been tested in the maximum dimensions up to wind strength 6 on the Beaufort scale (= wind resistance class 3) and withstands this load.	

For the PergoTex II type pergola awning, the risk assessment was carried out in accordance with DIN EN 12100:2009. Please note that it may be necessary to have a special risk assessment carried out with respect to special conditions for use and locations, for example kindergartens or facilities for the disabled.



The weinor Pergona collection

The robust and waterproof PVC fabrics are available in 2 versions – either as **Pergona classic** or, subject to a surcharge, as **Pergona translucent**.

The special feature of the **Pergona translucent** is its high light transmission of up to 21%. The fabric

allows natural light through and provides optimal protection against rain and UV rays.

With its light transmission of up to 11%, the **Pergona classic** is ideally suitable for shading purposes. Dirty marks cannot be seen from underneath either.

For comprehensive documentation and choice of patterns, see separate collection.

weinor Pergona classic	weinor Pergona translucent
<ul style="list-style-type: none"> rain-proof, highly tear-resistant, opaque extremely stable easy-care light transmission 0–11 % 5 patterns 	<ul style="list-style-type: none"> rain-proof, highly tear-resistant, translucent extremely stable easy-care light transmission up to 21 % 7 patterns



Wide range of frame colours – abundance of choices

weinor coats all of its products in its own workshop. This ensures that they have the best-possible colour tonality and identical gloss levels.

- 47 standard RAL frame colours, silk gloss (gloss level $70 \pm 5\%$ when measured at a 60° angle)
- 9 scratchproof, resistant trend colours with a textured look
- over 150 special RAL colours

47 standard frame colours

9 trend colours

Approx. RAL 9010	Approx. RAL 6009 metallic	Chestnut 04 metallic	Sparkling iron effect	Approx. RAL 7016	Approx. DB 703 metallic	Iron glimmer effect P7	Approx. RAL 9006 metallic	Approx. RAL 9007 metallic

weinor is an eco-friendly company. To ensure compliance with high environmental standards, manufacturing processes and materials undergo regular testing by experts.

As a result of the ban on the use of heavy metals in powder coatings, paint manufacturers can no longer guarantee colour stability despite making every effort to do so. It therefore cannot be excluded that colours in general, and Fire Red (RAL 3000) in particular, may fade with time. For technical reasons, the colours may appear significantly different when printed.

Integrated HighPower LED spotlights

30,000 hours of lighting with 85% lower energy consumption

Select LED components for top weinor quality:

- integrated into the transoms
- atmospheric light thanks to special glass lenses

- highly energy-efficient
- operating life of 30,000 hours
- infinitely dimmable when used with BiConnect radio control
- easy to service: simple replacement of individual LED lights

- a defined number of LED spotlights per transom
- spacing of the spotlights 500 mm
- a maximum of 12 LED spotlights per transom
- a maximum of 4 staves with LED spotlights

Number of LED spotlights/number of transoms with LED*

Width in cm	Projection in cm									
	0–110	111–175	176–240	241–305	306–369	370–434	435–498	499–563	564–627	628–650
	Number of LED spotlights									
200	0	2	2	2	4	4	6	6	8	8
250	0	4	4	4	8	8	12	12	16	16
300	0	4	4	4	8	8	12	12	16	16
350	0	6	6	6	12	12	18	18	24	24
400	0	6	6	6	12	12	18	18	24	24
450	0	8	8	8	16	16	24	24	32	32
500	0	8	8	8	16	16	24	24	32	32
550	0	10	10	10	20	20	30	30	40	40
600	0	10	10	10	20	20	30	30	40	40
650	0	12	12	12	24	24	36	36	48	48
700	0	12	12	12	24	24	36	36	48	48
	Number of 45 x 60 mm transoms									
	0	1	2	3	4	5	6	7	8	9
	Number of 45 x 60 mm transoms with LED									
	0	1	1	1	2	2	3	3	4	4

Options

- Changing of the position of the transoms with LED (without extra charge).
- Supplementing/ordering of additional transoms (45 x 60 mm) with/without integrated LED spotlights (extra charge).

Prerequisites

- Between the transoms with integrated LED spotlights, a transom (45 x 60 mm) without LED spotlights must be installed.
- A maximum of 4 transoms with LED spotlights per unit possible.
- Between the first transom with integrated LED spotlights and the transom (80 x 60 mm) on the wall, 0 or 1 or 2 transoms (45 x 60 mm) without integrated LED spotlights must be installed.
- Lighting in the transom (80 x 60 mm) on the wall and in the transom (80 x 60 mm) on the projection profile is not possible.
- Any number of transoms without LED possible between the last transom with LED and the transom (80 x 60 mm) on the guttering.

Possible choice and combination of the 45 x 60 mm transoms with LED (using the example of a PergoTex II with a projection of 241 – 305 cm)

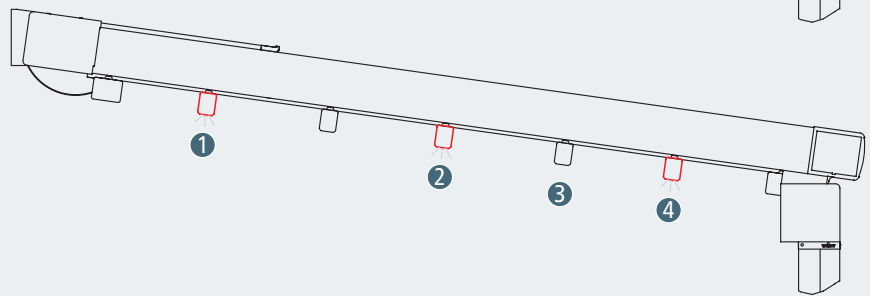
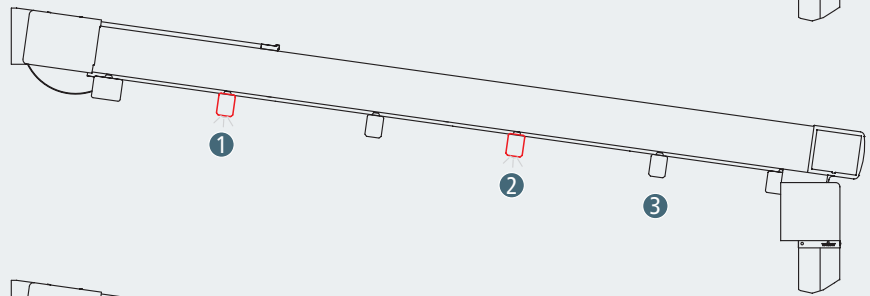
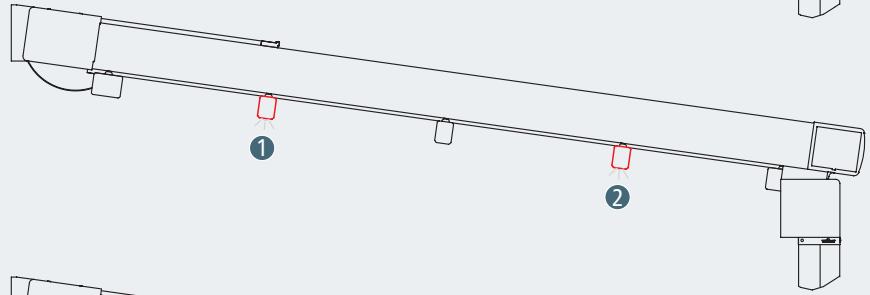
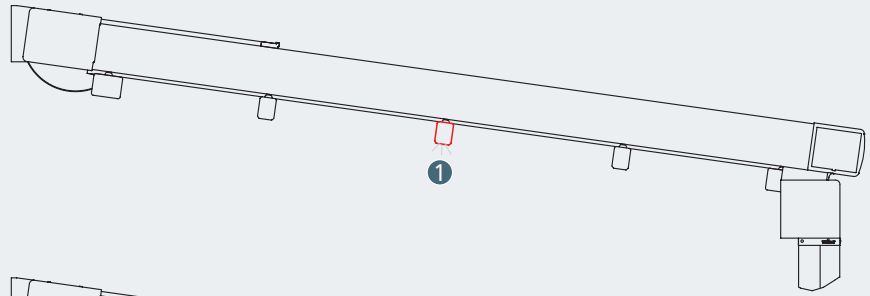
- One 45 x 60 mm transom with LED centrally positioned ① (PergoTex II option LED standard configuration)

Further options

- Existing 45 x 60 mm transom with LED ① (position changed)
- Existing transom 45 x 60 mm supplemented with LED ②

- Existing 45 x 60 mm transom with LED ① (position changed)
- Existing transom 45 x 60 mm supplemented with LED ②
- Additional 45 x 60 mm transom (without LED) ③

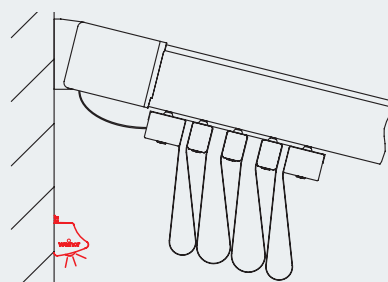
- Existing 45 x 60 mm transom with LED ① (position changed)
- Existing transom 45 x 60 mm supplemented with LED ②
- Additional 45 x 60 mm transom (without LED) ③
- Additional transom 45 x 60 mm ④ (with LED)



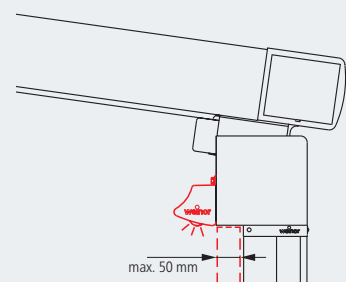
PergoTex II with separate LED light bar

On request, the PergoTex II can also be supplemented with a separate light bar. This light bar is mounted to the wall or to the guttering. The spacing of the spotlights of the separate light bar is 550 mm and thus deviates from the spacing of the integrated LED spotlights.

From a width of more than 6,501 cm, two separate LED light bars are required.



Lowered LED light bar
Benefit: lighting even if the unit is retracted



LED light bar on the guttering
Note: The LED light bar on the guttering is ideally installed in combination with the weinor w50-c fixed element

Width in mm	Number of LED spotlights
1,500 – 1,649	2
1,650 – 2,199	3
2,200 – 2,749	4
2,750 – 3,299	5
3,300 – 3,849	6

Width in mm	Number of LED spotlights
3,850 – 4,399	7
4,400 – 4,949	8
4,950 – 5,499	9
5,500 – 6,039	10
6,040 – 6,500	11



BiConnect – operating convenience to enjoy

The new BiConnect radio control transmits bidirectional signals and is very reliable thanks to its ultra-modern routing technology.

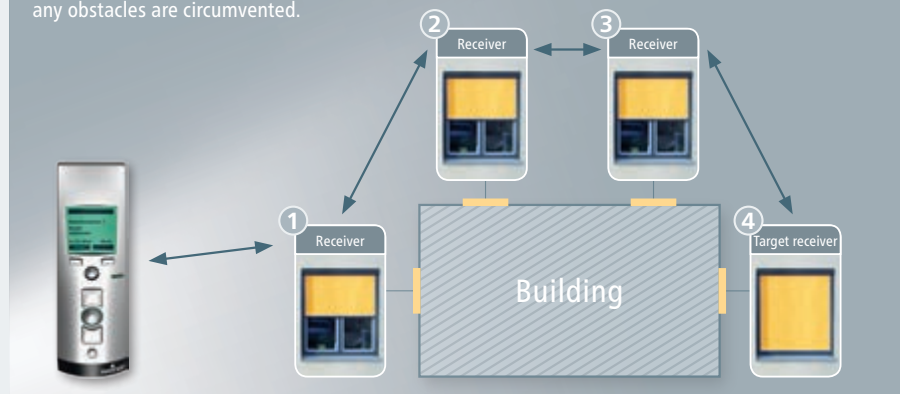
In this case, the BiEasy hand transmitter sends a radio signal to an active receiver within its range. The signal is then forwarded from one receiver to the next until it reaches the target receiver – and all this occurs in a second (see graphic below).

Benefits for the user:

- secure radio signal through routing technology – even through facades with metal cladding or thick wall insulation
- direct feedback through control function on hand transmitter
- virtually no electronic emissions – significantly fewer than with conventional radio technology
- protected radio frequency, no disruptions from telephones or WiFi

How routing technology works*

This is how the signal is forwarded (routed) from one remote receiver to the next – any obstacles are circumvented.



* Very simplified illustration

↔ = Routing signal and feedback signal

Product	Equipment	Connection	Remote receiver	Function	Hand transmitter
PergoTex II	drive		BiRec MA	retracting/extending	BiEasy 1M/1MW-3V BiEasy 1M/5M/15M
	drive + Tempura heating system (option)	separate	BiRec MA-K; BiRec HD	retracting/extending switching on/off dimming	BiEasy 5M/15M/App
	drive + light bars (option)	separate	BiRec LED	retracting/extending switching on/off dimming	BiEasy 5M/15M
PergoTex II LED	drive + LED lighting	separate	BiRec MLED	retracting/extending switching on/off dimming	BiEasy 5M/15M/App dimming
	drive + LED lighting + heating system Tempura (option)	separate	BiRec MLED; BiRec HD	retracting/extending switching on/off dimming	BiEasy 5M/15M/App dimming

PergoTex II configuration

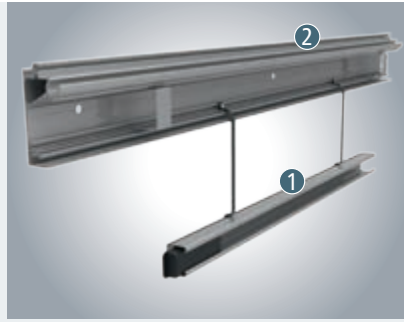
Product	BiConnect
PergoTex II drive	remote receiver installed in wall sealing profile
LED lighting	dimnable, combined remote receiver for main drive and LED with integrated power supply pack installed in the wall sealing profile
Tempura heating	<ul style="list-style-type: none"> • dimmable, additional receiver required • installation of the receiver in the design bar provided for this purpose

Note:

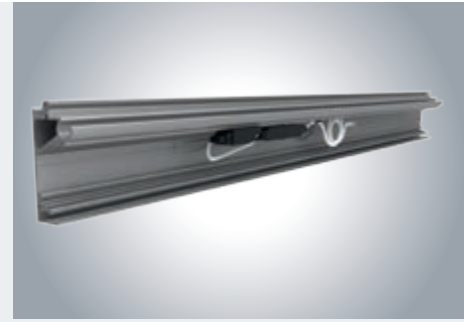
Requirement for PergoTex II with radio control: sensors require at least a BiEasy 1M, 5M or 15M. The wall bracket is designed in such a way that the BiConnect remote receiver can be positioned invisibly behind a clamp bracket. Nevertheless, the BiConnect components can be easily accessed for servicing at all times.

Installation location for remote receiver, power supply pack and further electrical components

The BiConnect remote receiver ① is installed in the wall sealing profile ② and is covered by the PergoTex II fabric. However, the remote receiver can still be accessed easily, since the wall connection fabric can be easily removed from the wall bracket for servicing.



Wall sealing profile (with LED option)



Wall sealing profile with BiRec MA-K (without LED option)

BiRec receiver



BiRec MA-K
remote receiver for drive control



BiRec MLED
Integrated remote receiver for drive and LED control

BiSens sensors



BiSens SW-230V



Telis 1
RTS Pure

Telis 4
RTS Pure

Telis 1 Soliris
RTS Pure

Telis 4 Soliris
RTS Pure

Somfy RTS

Alternatively, the PergoTex II can also be controlled with Somfy RTS. Since RTS works unidirectionally, no feedback is given on the status of the units. The radio control system runs on a frequency of 433.42 MHz.

Wall transmitter:



Smoove 1 RTS
Pure Shine



Chronis RTS smart

Somfy RTS radio control

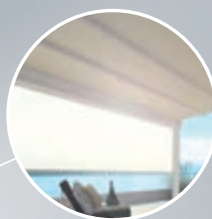
Tempura heating system



Transoms with LED



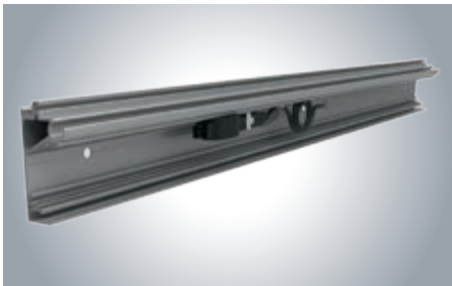
VertiTex



RTS weather sensors

PergoTex II





Wall sealing profile with RTS
(without LED option)

Installation location RTS receiver

The RTS receiver for lighting is installed in the wall sealing profile and can thus be easily accessed for servicing.

RTS receiver



Lighting Slim Receiver RTS
remote receiver for LED control



Universal Slim Receiver RTS Plug
remote receiver for drive control

RTS sensor



Soliris RTS sensor
wind and sun sensor with mains connection

Product	Equipment			Remote receiver	Hand transmitter
PergoTex II	drive*			Universal Slim Receiver RTS Plug	Telis 1 RTS Pure/Telis 1 Soliris RTS Pure/Smooove 1
	drive		heating (option)	Heating Slim Receiver RTS Plug	Telis 4 RTS Pure/Telis 4 Soliris RTS Pure
PergoTex II LED	drive	LED lighting		Lighting Slim Receiver RTS	Telis 4 RTS Pure/Telis 4 Soliris RTS Pure
	drive	LED lighting	heating (option)	Lighting Slim Receiver RTS; Heating Slim Receiver RTS Plug	Telis 4 RTS Pure/Telis 4 Soliris RTS Pure

* Only Becker motor possible

PergoTex II configuration

Product	RTS
PergoTex II drive	remote receiver installed in wall sealing profile
LED lighting	<ul style="list-style-type: none"> • not dimmable • additional receiver Lighting Slim Receiver RTS (with downstream power supply pack) • installed in the wall sealing profile
Tempura heating	<ul style="list-style-type: none"> • not dimmable, additional receiver required

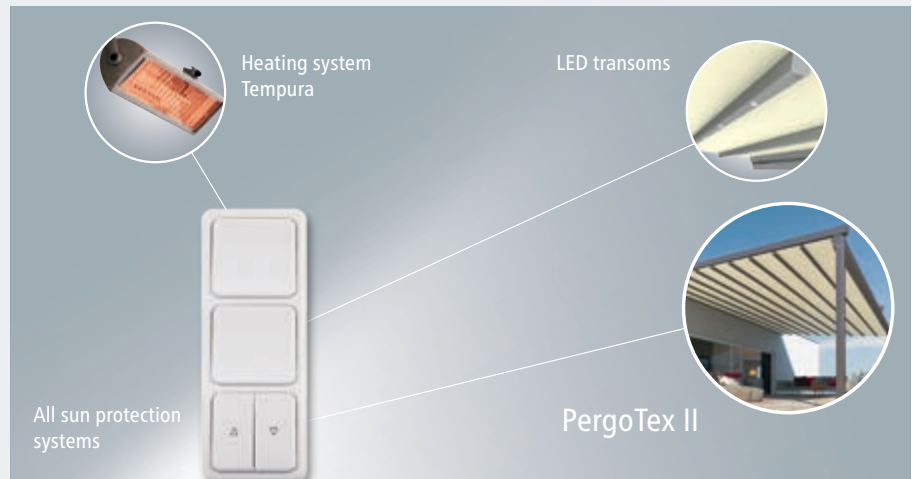


Commercially available up/down switch

Hard wired

With a hard wired control, such as a wall mounted rocker or key switch, there is no requirement for remote control hand transmitters.

No chance of losing the handset!
No need to change any batteries!



PergoTex II configuration

Product	Wire system
PergoTex II drive	<ul style="list-style-type: none"> • no receiver required • switch and wiring on site
LED lighting	<ul style="list-style-type: none"> • not dimmable • commercially available on/off switch, up/down switch
Tempura heating	<ul style="list-style-type: none"> • not dimmable • switch and wiring on site



Power supply pack for LED option

The power supply pack provides the power supply required to operate the LED. It is only required for the LED option.

Position of the power supply pack	Product
in the wall sealing profile	PergoTex II LED



Power supply pack installation strip for LED option

The power supply pack ① is positioned in the wall sealing profile so that it is easily accessible. For the PergoTex II without the LED option, the transformer/receiver bar is not delivered.

weinor hard wired with Somfy control

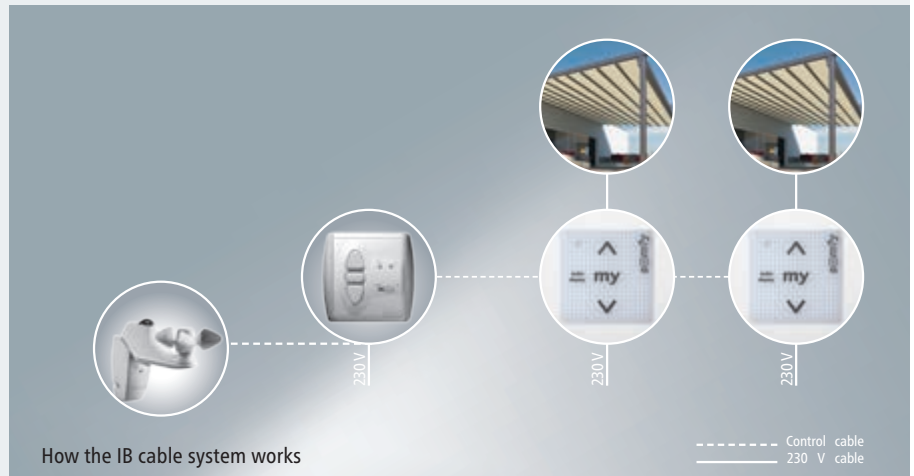
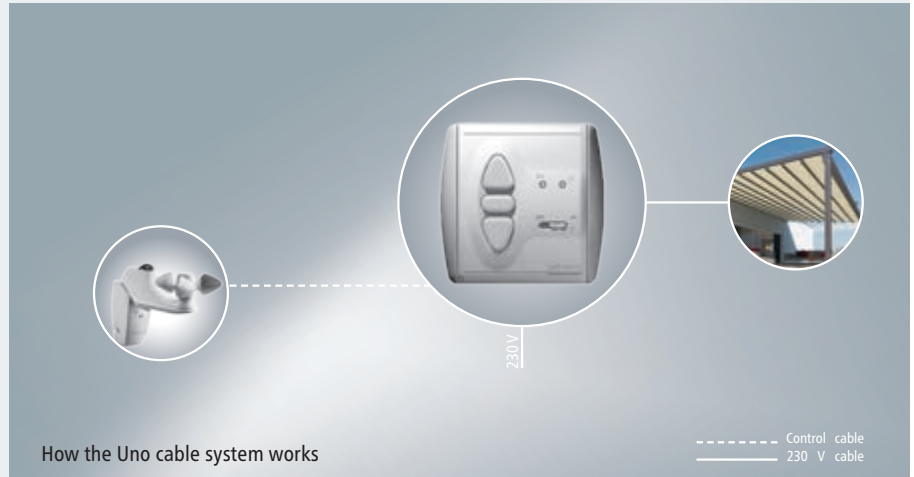


Control unit + sensor Uno/IB



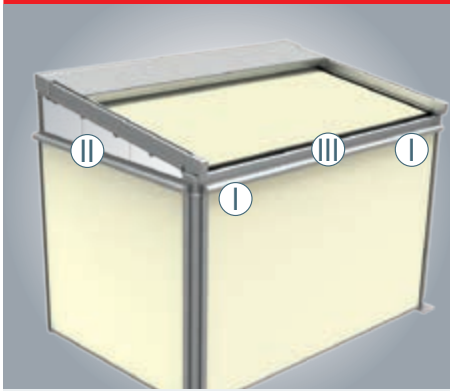
Smoove Uno IB + Pure Shine

For the hard wired version, a Somfy switch and a Somfy sun and wind sensor can be included in the delivery for awning control.



PergoTex II configuration

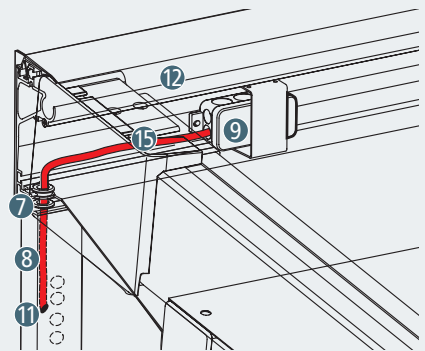
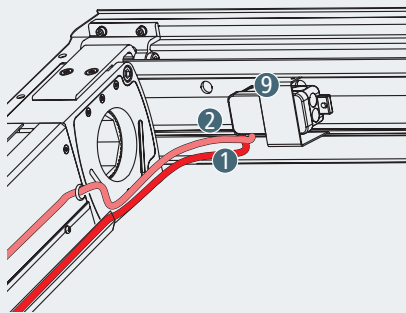
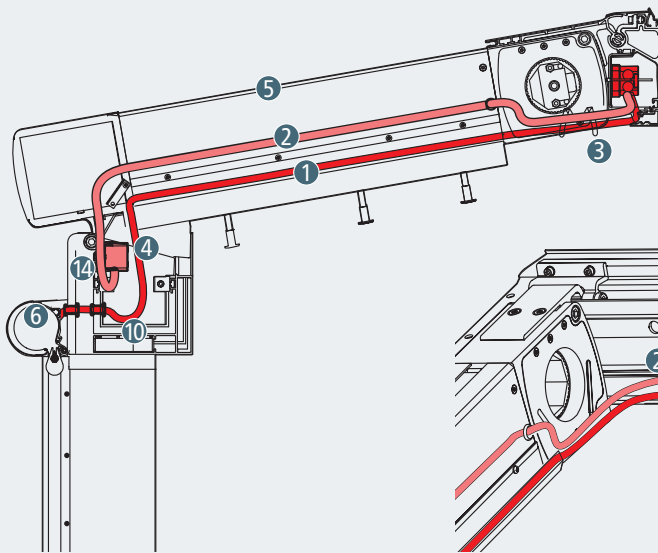
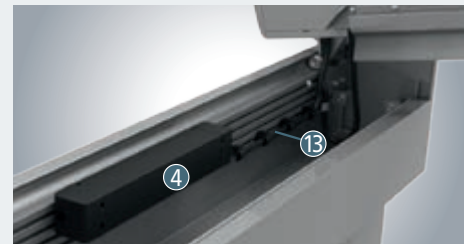
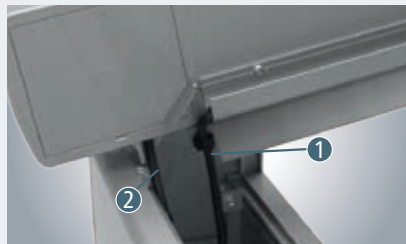
Product	Somfy hard wired
PergoTex II drive	no receiver required
LED lighting	<ul style="list-style-type: none"> • not dimmable • power supply pack installed in the wall seal profile • switch and wiring on site
Tempura heating	<ul style="list-style-type: none"> • not dimmable • switch and wiring on site



Cable connection concept for three PergoTex II order options

Whether the VertiTex sun protection is installed on the guttering or on the sides or whether even connections for additional electricity components are provided: For all options, the cabling

is integrated into the components in a weather-proof and concealed way and has been prepared optimally in the factory. This ensures a visually appealing and secure installation.



I Preparations for the mains connection for the installation of the VertiTex vertical sun protection on the guttering (front right/ front left)

The power cable 1 of the VertiTex 6 is routed through the guttering to one of the channels. For the cable bushing 14, a hole is drilled into the guttering on site and a cable sleeve 7 is inserted. Depending on the order option or the drive side of the VertiTex, the power cable of the VertiTex is routed either in the left or in the right, and in exceptional cases also in the centre, side channel 5 to the wall sealing profile and to the distributor box 9. For the outer side channels, a VertiTex cable can be fitted; for the centre side channel, it is also possible to fit two cables.

Factory-made assembly preparation:

- drilled hole and cable sleeve in the guttering 10
- cable tie 3 (fixing the cable in place, end cap)
- clips with cable sleeve
- 20 x 20 x 4 angle bracket with clip (bolting, end cap front)
- wedge seal (fixing the cable in place)
- distributor box with attachment 9

II Preparations for the mains connection for the installation of the lateral VertiTex

The cable of the VertiTex 15 is routed in the wall-side rectangular profile 8 through a drilled hole and a cable sleeve 7 in the wall sealing profile 12 to the distributor box 9. In the rectangular profile, there is not a drilled hole 11 yet for the VertiTex

power supply cable bushing. Thus, it is possible to fasten the locking bar and VertiTex in a flexible manner without any annoying visible, unused drilled holes.

III Preparations for the mains connection of optional electricity consumers on the guttering

The power 2 for optional electric components (such as an LED light bar) is supplied on site via the E-Box 4 screwed to the top groove in the guttering. The cable running to one of the side channels is mounted to the guttering 13 on site using clips. The cable has already been routed in the side channel and the end cap front in the factory and leads to the wall bracket.



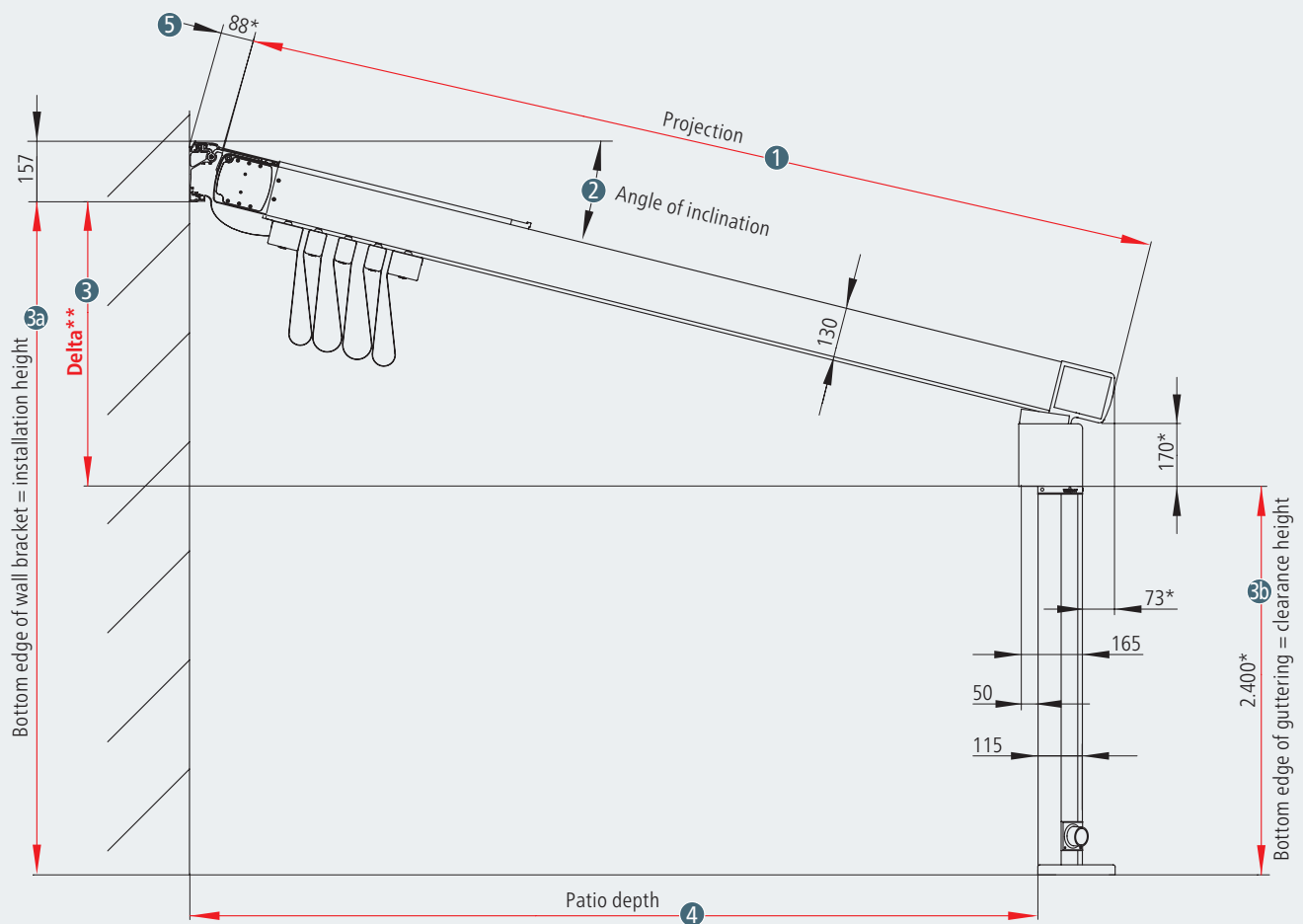
Tempura heating system

Tempura Universal heating system with high performance (option)

The energy-efficient Tempura infrared heating system has an impressive heating capacity of over 1,500 watts in a tiny housing.

- instant heat: no warm-up time
- turn as required for targeted warmth
- operate and dim using BiConnect radio control
- splash protection
- comes in 47 standard frame colours plus 9 scratch-proof, resistant trend colours with a smart, textured look
- optional: 150 special RAL colours
- universal bracket makes it easy to retrofit
- TÜV tested

Projection of the PergoTex II



* Dimensions depend on inclination

** Delta: dimension 3a minus dimension 3b = difference between installation height and clearance height

The pitch of the projection 1 can be up to 25°. In contrast to other pergola awnings, the PergoTex II can also be mounted without a roof pitch (0°) (can then only be used as sun protection). Ideal water drainage

without a risk of water trapping is provided from an angle of inclination of 8°. The maximum projection is up to 6,500 mm.

The projection is the basis for determining the costs for a PergoTex II unit. Using the following table (next page), the projection 1 of the PergoTex II is determined on the basis of a given horizontal patio depth 4.

The projection is calculated on the basis of

- the **angle of inclination** 2,
- the **delta*** 3,
- the **patio depth** 4.

The maximum clearance height 3 is 2,400 mm. If this clearance height of 2,400 mm is exceeded optionally, the stability must be proven on site.

The dimension 5 is the spacing between the house wall and the side channel (specified with 88 mm in the example above, based on an angle of inclination of 10°). The spacing depends on the angle of inclination. If necessary, the dimension 5 is

used to determine the overall dimensions of the awning (wall bracket to front edge of guttering).

Angle of inclination	Spacing between house wall and side channel (dimension 5)
8°	86
10°	88
15°	92
20°	97
25°	103

Determination of projection

Delta* (in mm)	Depth projection (in mm) pitch																	
	2000		2500		3000		3500		4000		4500		5000		5500		6000	
200	2091	0.6°	2590	0.5°	3090	0.4°	3590	0.4°	4090	0.3°	4590	0.3°	5090	0.2°	5590	0.2°	6090	0.2°
400	2117	6.2°	2611	5.0°	3108	4.2°	3605	3.6°	4103	3.1°	4601	2.8°	5100	2.5°	5599	2.3°	6098	2.1°
600	2161	11.7°	2647	9.4°	3138	7.9°	3631	6.8°	4126	6.0°	4622	5.3°	5119	4.8°	5616	4.4°	6113	4.0°
800	2223	16.9°	2698	13.7°	3181	11.5°	3668	10.0°	4159	8.8°	4651	7.8°	5145	7.0°	5640	6.4°	6135	5.9°
1000	2302	21.8°	2763	17.9°	3235	15.1°	3716	13.0°	4200	11.5°	4688	10.3°	5179	9.3°	5671	8.4°	6164	7.8°
1200			2840	21.8°	3502	18.5°	3774	16.0°	4252	14.2°	4734	12.7°	5220	11.5°	5709	10.5°	6199	9.6°
1400					3379	21.8°	3841	19.0°	4312	16.8°	4788	15.0°	5269	13.6°	5753	12.4°	6240	11.4°
1600					3466	24.9°	3918	21.8°	4380	19.3°	4850	17.4°	5325	15.7°	5804	14.4°	6287	13.2°
1800							4003	24.5°	4456	21.8°	4919	19.6°	5388	17.8°	5862	16.3°	6340	15.0°
2000									4540	24.2°	4995	21.8°	5457	19.8°	5926	18.2°	6400	16.8°
2200											5078	23.9°	5533	21.8°	5996	20.0°	6464	18.5°
2400													5616	23.7°	6072	21.8°		
2600															6153	23.5°		
465	2129	8.0°																
536			2634	8.0°														
606					3139	8.0°												
676							3644	8.0°										
746									4149	8.0°								
816											4654	8.0°						
887													5159	8.0°				
957															5663	8.0°		
1027																	6168	8.0°
	2000		2500		3000		3500		4000		4500		5000		5500		6000	

** Delta: difference between installation height and clearance height

Table 1 (upper part): projection depth and projection pitch at delta 200/400/600/800/1,000/1,200/1,400/1,600/1,800/2,000 or 2,200 mm

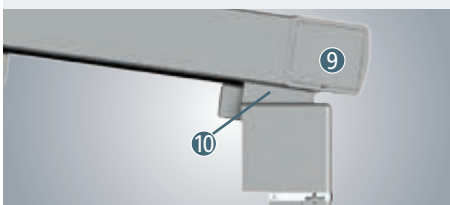
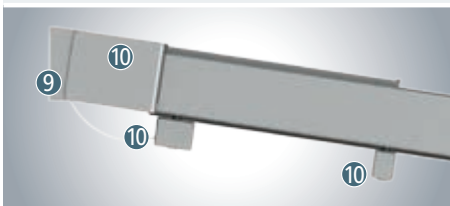
Table 1 (lower part): projection depth and dimensioning of delta at the given pitch of the projection of 8°

Example 1: With a patio depth of 3,500 mm and delta* of 600 mm (*= bottom edge of wall bracket of 2,700 mm minus bottom edge of guttering of 2,100 mm), the projection is 3,631 mm and the pitch is 6.8°.

Angle of inclination	Projection depth (in mm)								
	2000	2500	3000	3500	4000	4500	5000	5500	6000
8°	2129	2634	3138	3643	4148	4653	5158	5663	6168
10°	2145	2653	3161	3668	4176	4684	5191	5699	6207
15°	2198	2716	3234	3751	4269	4787	5304	5822	6340
20°	2271	2803	3335	3867	4399	4931	5463	5996	
25°	2365	2917	3468	4020	4572	5124	5675	6227	
	2000	2500	3000	3500	4000	4500	5000	5500	6000

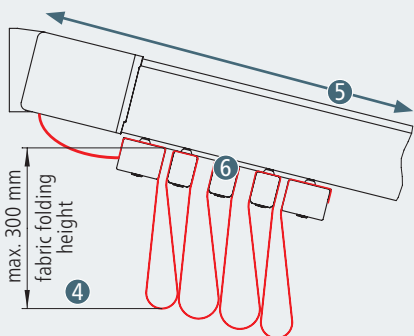
Table 2: projection depth at an angle of inclination of 8°/10°/15°/20° and 25°.

Example 2: At an angle of inclination of 10° and a patio depth of 3,000 mm, the actual projection is 3,161 mm.



Lateral covers – for each projection

The elegant cover plates 9 and cover caps 10 cover the mounting technology, protect it against dirt and produce a harmonious side view.



Fabric folding height

The fabric of the PergoTex II consists of a robust PVC material and is opened with a folding mechanism (folding awning).

The fabric folding height ④ and the depth of the fabric safety shield ⑤ depend on the length of the projection/patio depth ① and the number

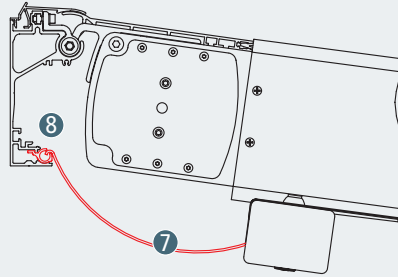
of staves ⑥. Depending on structural requirements or individual customer requests, the number of staves can be increased to reduce the fabric folding height. The additional transoms may increase the depth of the fabric safety shield ⑤.

Fabric end

PergoTex II

(angle of inclination from 0° to 18°)

For a PergoTex II at an angle of inclination from 0° to 18°, the fabric end ⑦ is made by welting the fabric in the wall sealing profile ⑧.

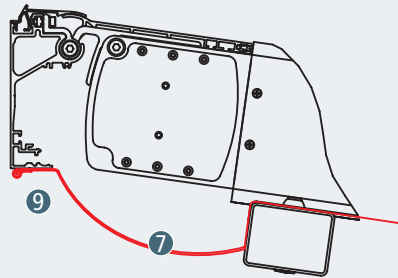


Fabric end from 0° to 18°

PergoTex II

(angle of inclination > 18° to 25°)

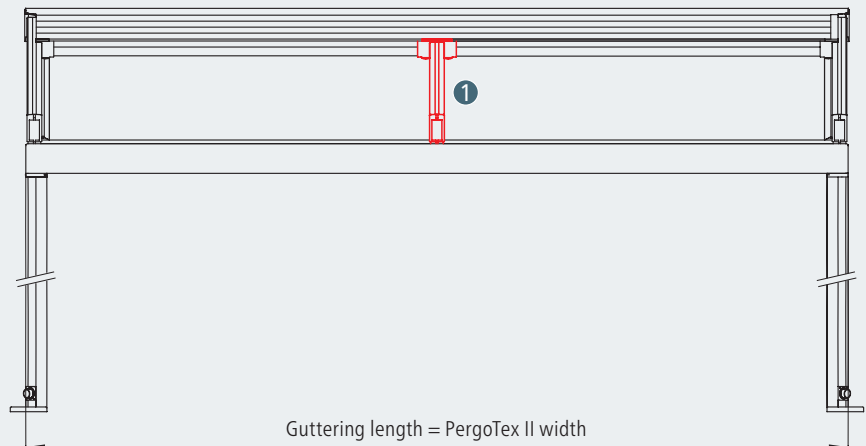
From an angle of inclination > 18° to 25°, the fabric is mounted to the wall sealing profile using a velcro fastener ⑨ so that it is flush with the house wall.



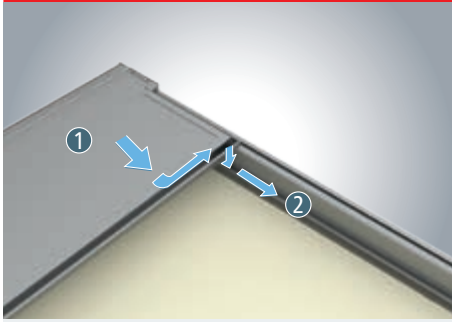
Fabric end > 18° to 25°

Additional side channel

From a width of more than 4,501 mm, a third side channel ① is required.



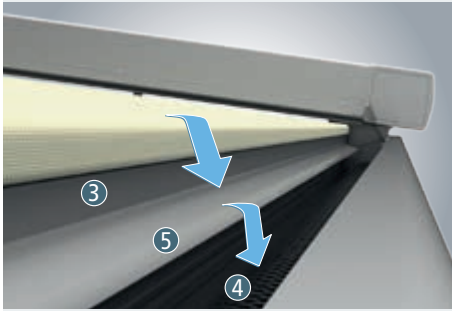
PergoTex II with third side channel



Quiet protection – the aluminium fabric safety shield

The new aluminium fabric safety shield ① has been designed as a hollow-chamber profile and has a noise-reducing effect when it rains. Rain water runs off the aluminium

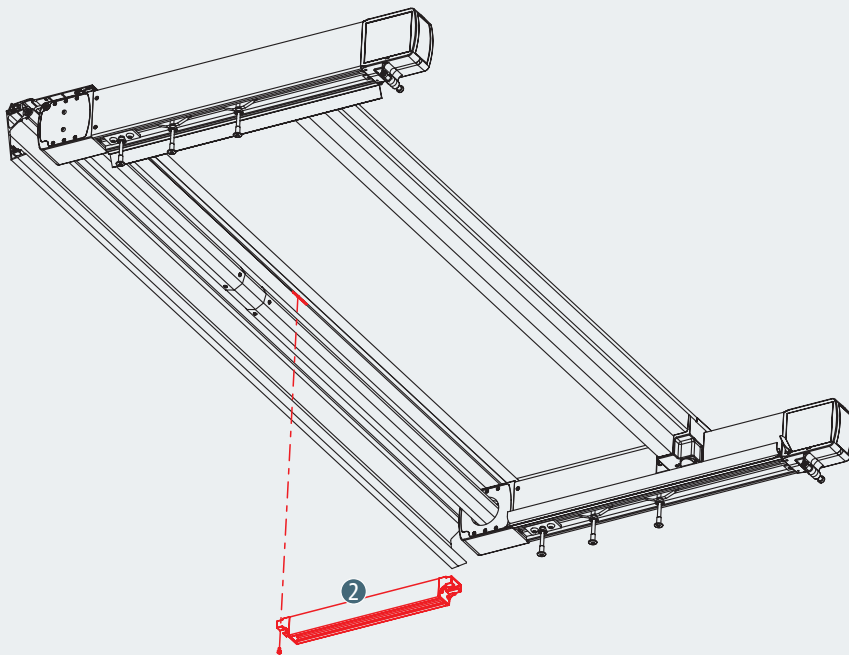
fabric safety shield ① sideways to the right and left in a controlled manner ②.



Controlled rain drainage

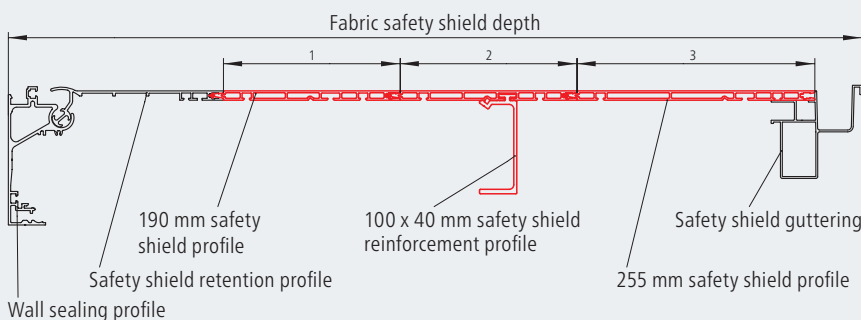
When fully extended, the front transom ③ is located directly above the guttering ④. A transparent plastic lip ⑤ drains the dripping or rain water directly into the guttering ④ and then into the water drains of the posts.

Aluminium fabric safety shield – use of support profiles



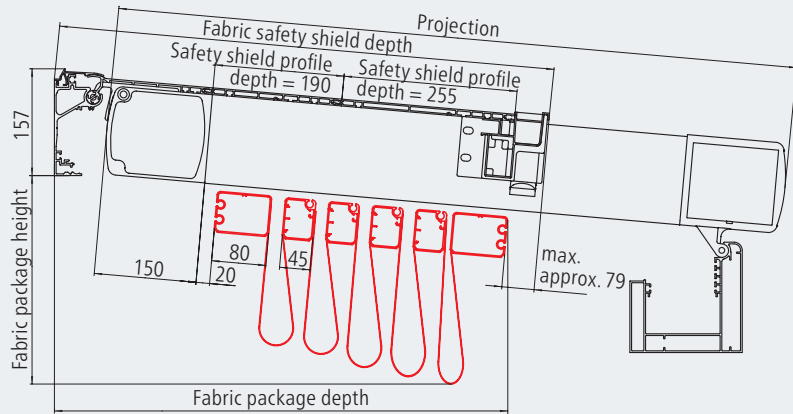
From a safety shield depth of more than 720 mm and from a width of more than 4,000 mm, the use of aluminium support profiles ② (order option/extra charge) is required. The support profiles are screwed to the safety shield retention profile using clamping sliders. Support profiles make it easier to install long safety shield profiles, since they can be placed on the already pre-assembled support profiles.

Aluminium fabric safety shield – use of reinforcements for higher snow loads



When providing reinforcement by using the 100 x 40 mm safety shield reinforcement profiles, the support profiles do not have to be used. The reinforcements are mounted in the factory in accordance with the specified snow load as well as width and projection.

Aluminium fabric safety shield profiles and distribution of staves



Projection	Distribution of transoms			Distribution of the safety shield		Fabric safety shield depth (values depend on the pitch; the values below refer to a pitch of 10°)
	Number of fabric sections	Number of 80 x 60 transoms	Number of 45 x 60 transoms	Number of 190 safety shield profile	Number of 255 safety shield profile	
2000 - 2400	3	2	2	2	0	669
2401 - 3045	4	2	3	2	0	669
3046 - 3690	5	2	4	1	1	734
3691 - 4335	6	2	5	0	2	799
4336 - 4980	7	2	6	3	0	859
4981 - 5625	8	2	7	2	1	924
5626 - 6270	9	2	8	1	2	989
6271 - 6500	10	2	9	0	3	1054

Determination of fabric package height/depth depending on the number of transoms

Projection	Number of staves	Pitch							
		5 Depth	5 Height	8 Depth	8 Height	15 Depth	15 Height	25 Depth	25 Height
2000	4	520	273	510	292	484	335	436	391
2500	5	583	277	574	300	546	351	494	417
3000	5	583	340	574	362	546	413	494	479
3000	6	647	282	637	308	608	366	552	443
3500	6	647	332	637	358	608	416	552	493
3500	7	711	287	701	316	670	382	610	470
3500	8	775	256	764	289	732	363	668	461
4000	7	711	328	701	358	670	424	610	511
4000	8	775	292	764	325	732	398	668	496
4000	9	838	266	827	302	793	383	726	492
4500	8	775	328	764	360	732	434	668	532
4500	9	838	297	827	333	793	415	726	523
4500	10	902	275	891	314	855	403	784	522
5000	9	838	328	827	364	793	446	726	554
5000	10	902	303	891	342	855	431	784	550
5000	11	966	283	954	326	917	422	842	552
5500	9	838	360	827	396	793	477	726	586
5500	10	902	330	891	370	855	459	784	578
5500	11	965	308	954	351	917	447	842	577
5500	12*	1030	291	1017	337	979	441	900	581
6000	10	902	358	891	397	855	487	784	605
6000	11	966	333	954	376	917	472	842	602
6000	12*	1030	313	1017	359	979	464	900	604
6000	13*	1093	298	1081	347	1041	459	958	610
6500	11	966	358	954	401	917	497	842	627
6500	12*	1030	336	1017	382	979	486	900	626
6500	13*	1093	319	1081	368	1041	480	958	630
6500	14*	1157	305	1144	358	1103	477	1016	638
6500	15*	1221	294	1208	350	1164	477	1074	649

* Optional

All dimensions are approx. values



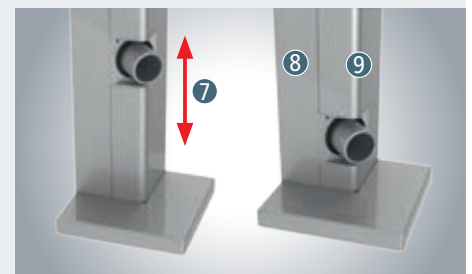
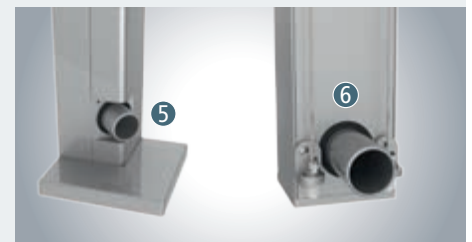
Supporting all-rounders – the posts of the PergoTex II

The stable and attractive posts of the PergoTex II are part of the smart water drainage construction and drain the rain water in a controlled manner.

Integrated water drainage

The downpipe ① is invisibly integrated into one of the posts ②. When using post plates (in this figure, the example of large post plates is used), ③ the water drainage can be discharged directly downwards ④ or through a water outlet (on the post corner ⑤ or sideways/to the front ⑥). The height of the water outlet is variable ⑦ and can be easily adjusted on site by means of the two-part post design ⑧ ⑨.

Due to the two-part post design ⑧ and ⑨, the inside of the post can also be accessed easily, for example for cable routing or servicing work on the water drain pipe.



Positioning of the posts

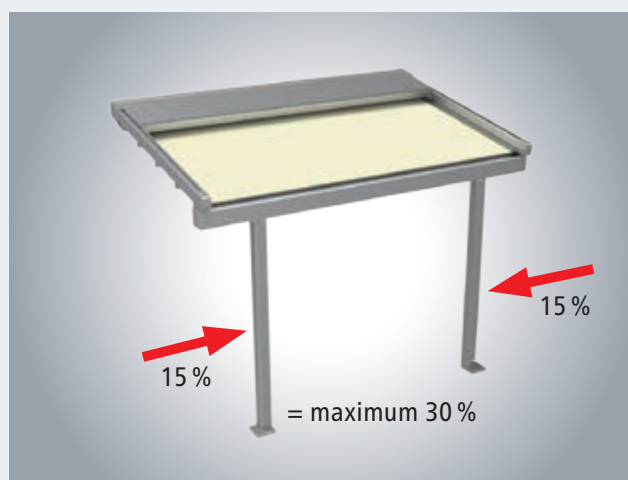
The standard position of the "outside posts" is the position in which the side channels and the guttering are aligned flush on the sides.

(not flush in the case of centre/wall posts)

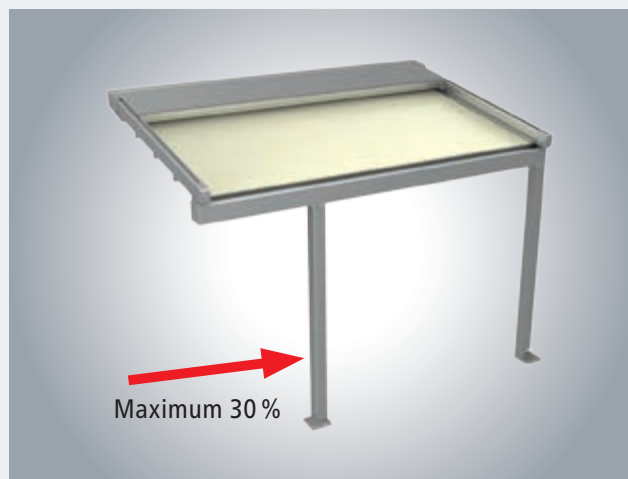


Indentation of posts

Depending on the structural requirements or customer requests, the posts can be indented up to a maximum of 30% of the total awning width.



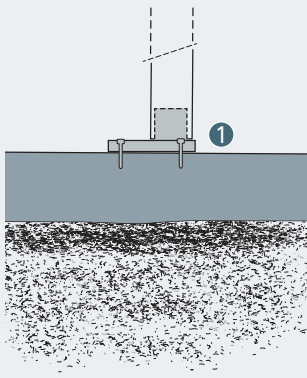
Indenting a post is only possible on one side. The same applies to the symmetrical or asymmetrical indentation of the posts on both sides along the guttering.



Post fixation

Post fixation on concrete floor slabs ①

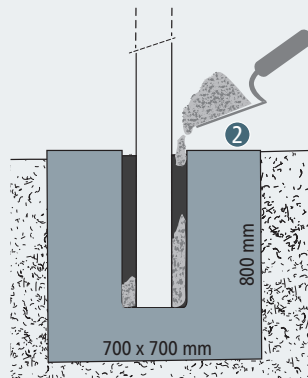
The standard configuration is the installation of the PergoTex II with post plates on a given (or existing) concrete floor.



Post fixation on concrete floor slabs

Bucket foundation ②

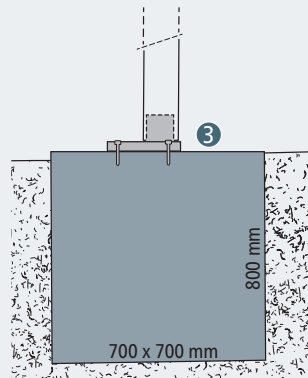
With the bucket foundation, the posts are set in concrete on artificial substrates reliably and flexibly at the same time. Only after the post has been installed, the bucket foundation is completed with concrete or mortar, making the alignment of the posts easier.



Bucket foundation
Min. dimensions 700 (w) x 800 (h) x 700 (d) mm

Deep-seated foundation ③

The easy and flexible screw attachment on a 700 (w) x 800 (h) x 700 (d) mm screw foundation is carried out like the standard fixation (item 1).



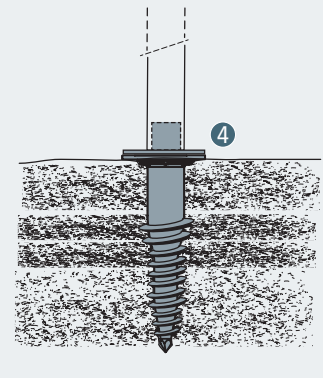
Deep-seated foundation
Min. dimensions 700 (w) x 800 (h) x 700 (d) mm

Screw foundation ④

Fixation in no time – on natural ground, screw foundations are an alternative to conventional foundations.

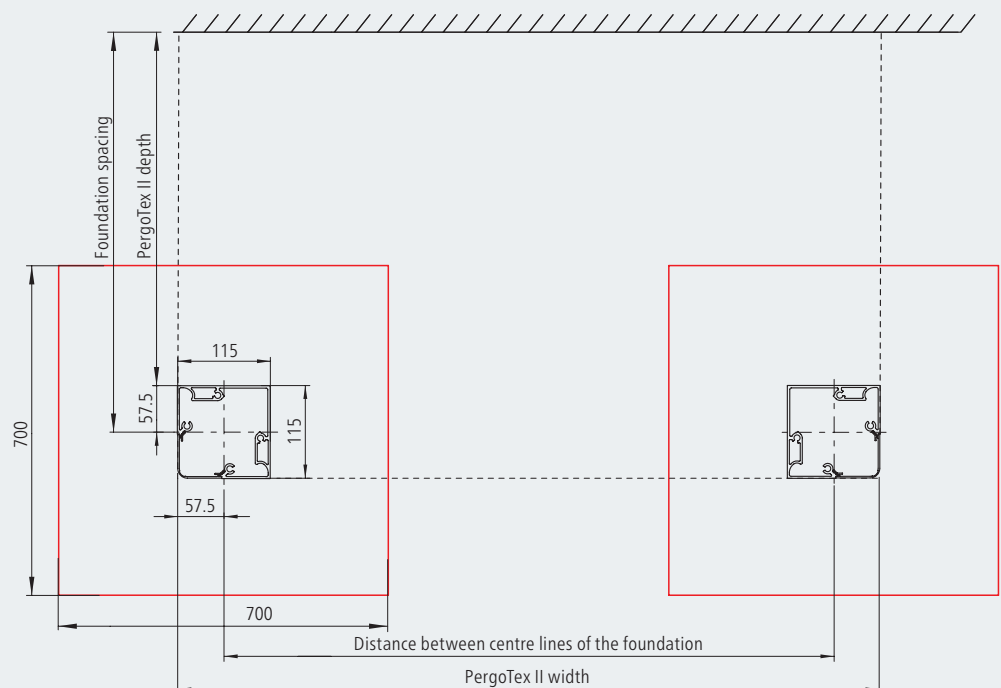
Benefits:

- cost and time savings
- no concrete curing times
- no excavation necessary (no impairment of the surrounding area)

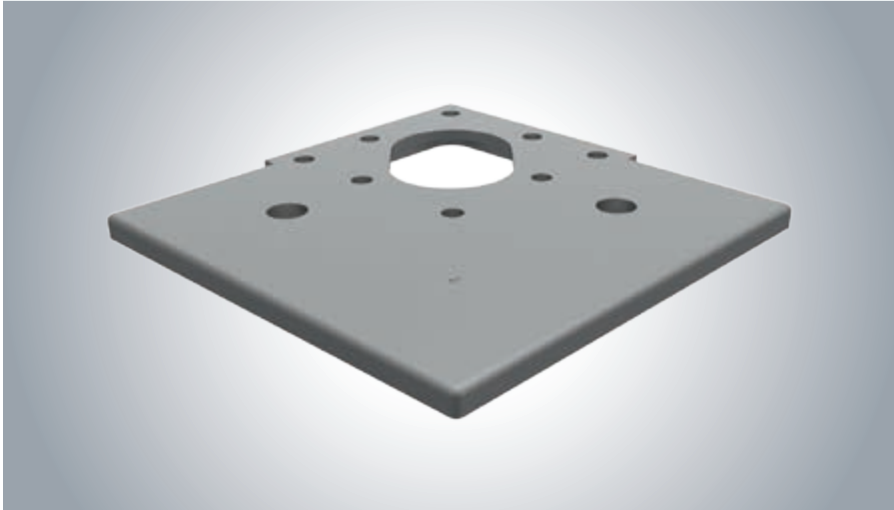


Krinner screw foundation

Foundation plan



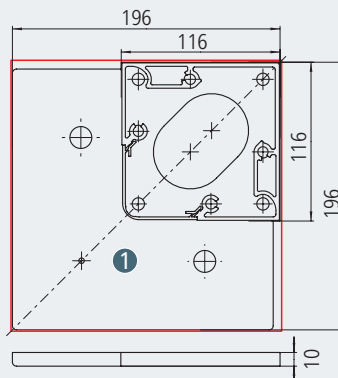
PergoTex II post plates



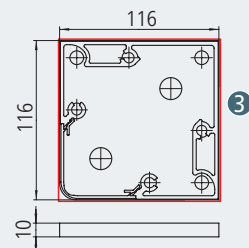
The weinor PergoTex II post plates connect the awning permanently to all substrates and complete the flexible, stabile framework assembly. Post plates are distinguished as follows: "outside post plates" ① (for the outer posts of the awning) and "centre/wall post plates" ② (post plates for centre or outer posts which are flush next to a wall). Small post plates ③ (order option) are suitable for small folding awnings or for installation in showrooms.

Post plates for "outside posts"

- "large post plate for outside posts"
 - water drainage bushing
 - can be turned by 180°
- "small post plate for outside posts" (optional)
 - flush with posts
 - optimised for small awnings



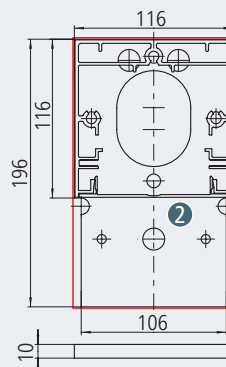
Large post plates (outside)



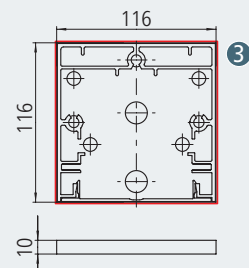
Small post plates (outside)

Post plates for "centre/wall posts"

- large centre/wall post plate
 - fixation of centre posts
 - fixation of an outer post next to a wall
 - water drainage bushing
 - can be turned by 180°
- Small post plate for outside posts
 - optimised for small awnings



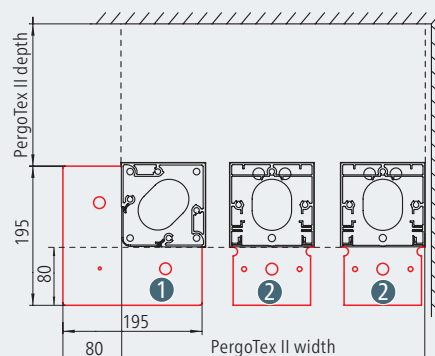
Large post plates (centre and wall)



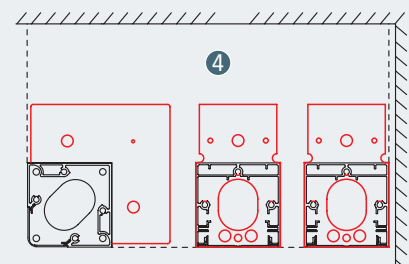
Small post plates (centre and wall)

Turning of post plates

If the post plates must be flush with the posts on the outside, since this 'is required, for example, by adjacent objects (e.g. walls or plants), the post plates can be turned by 180° ④



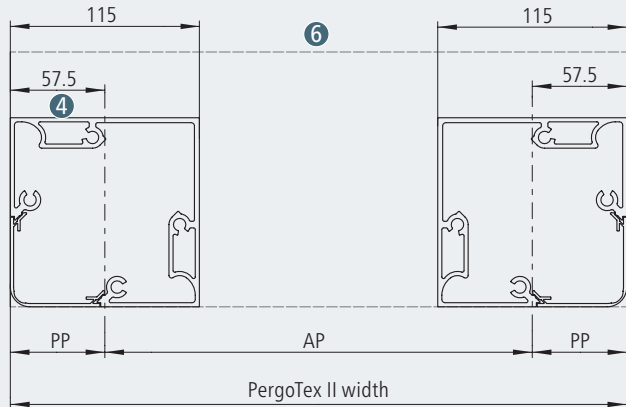
Post plates oriented to the outside (standard)



Post plates turned to the inside

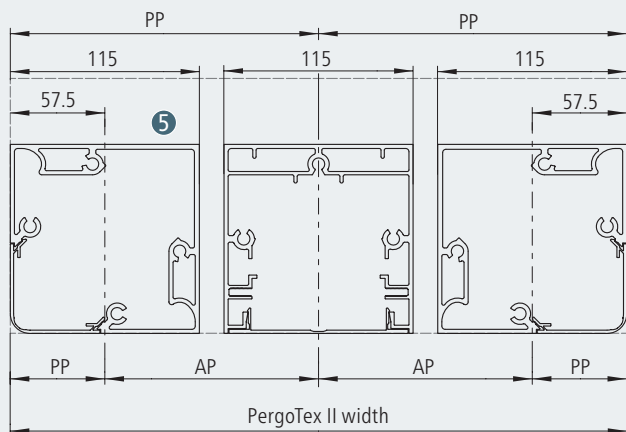
Post position and post distance

Standard; "outside post" ④

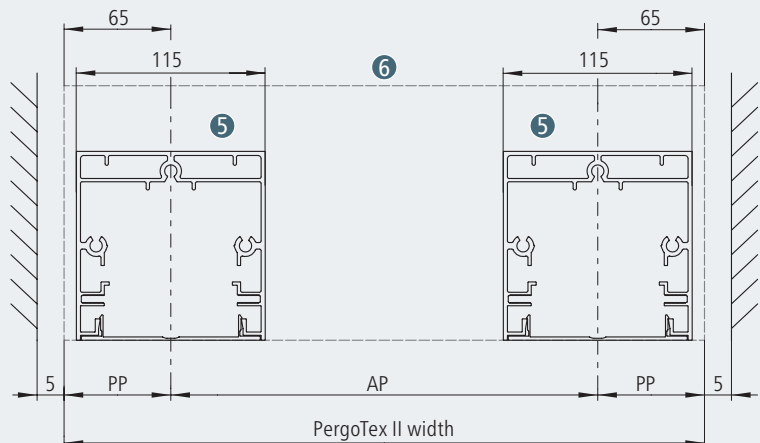


Standard with "centre/wall" option ⑤;
is only delivered on customer request;
may be necessary for VertiTex option

"Centre/wall post"
(may be necessary for VertiTex option)



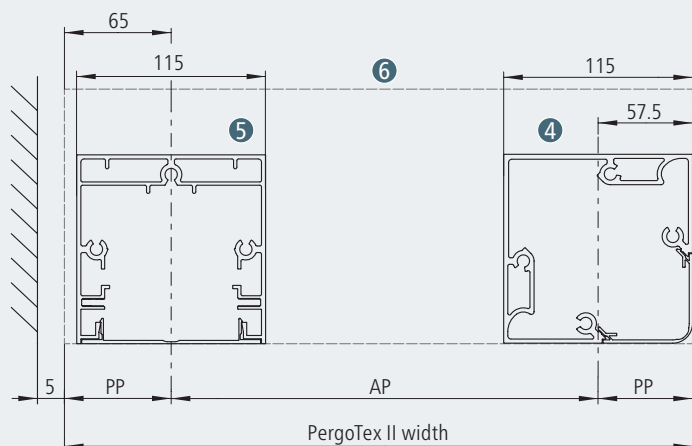
Wall left and right; "centre/wall post" ⑤



Wall left; "centre/wall post" left ⑤ and
"outside post" right ④

Note

If the PergoTex II is installed between two lateral walls, we recommend indenting the lateral spacing of 100 mm (instead of 5 mm) on the drive side to make it easier to access the drive for servicing.



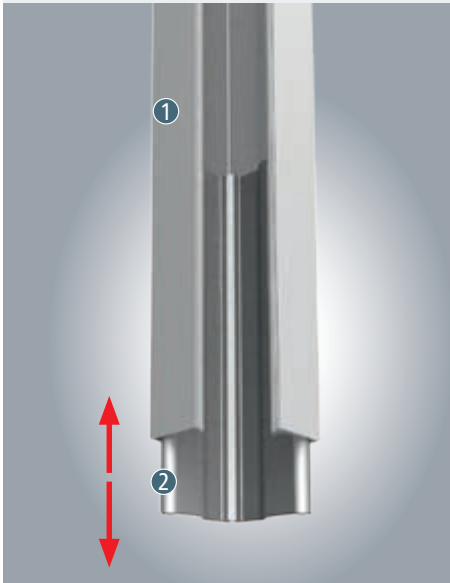
Key:

PP - Position of posts

AP - Spacing of posts

- Guttering ⑥

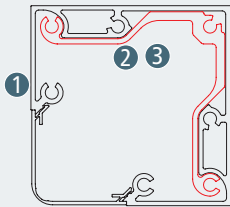
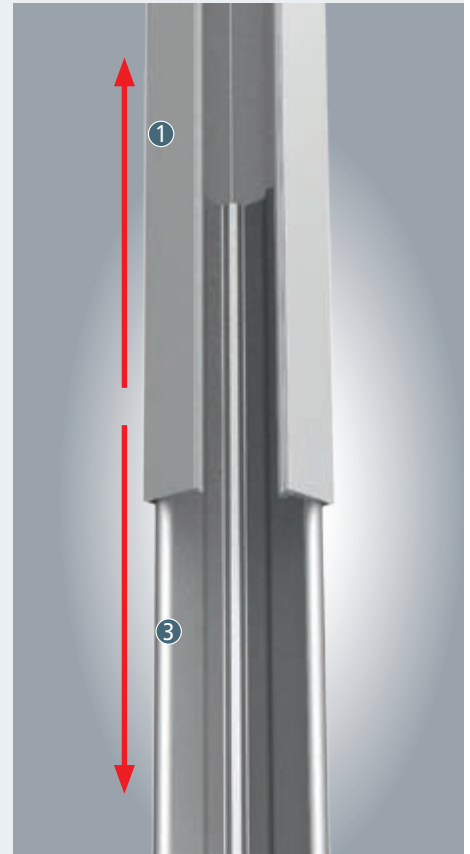
Aluminium plug-in unit profile



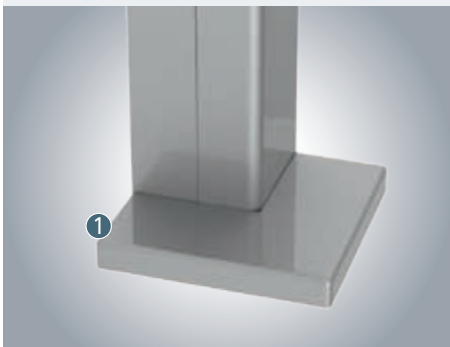
With the optional 300 mm aluminium support profile ② available for order (picture on the left), the stability of the post fixation is increased.

As a special design, an extra-long aluminium plug-in unit profile ③ (production according to the post length*) can also be delivered to stabilise extra-long posts ① (picture on the right). From a post length of more than 2,400 mm, weinor recommends inserting the aluminium plug-in unit profile or mounting additional posts.

If the post height of 2,400 mm is exceeded, the stability must be proven on site.



Cover cap for post plate



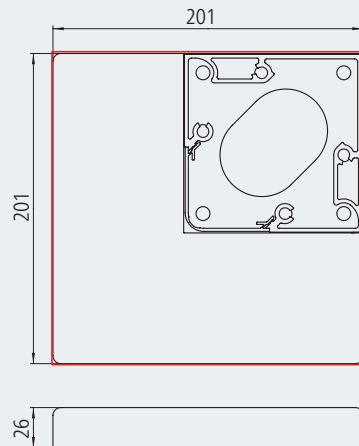
Cover cap for large post plate (outside post)

The cover caps ① of the post plates are elegant end elements of the awning so that screws are no longer visible.

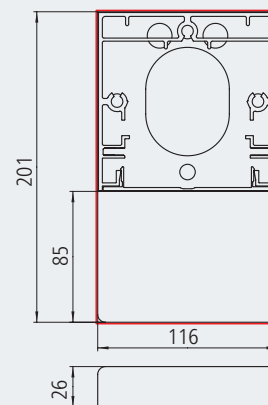
The cover caps are put flush over the post plates.



Cover cap for large post plate (centre and wall), post shown with water drainage)



Cover cap for large post plate (outside post); if necessary, it can be turned by 180° together with the post plates



Cover cap for large post plate (centre and wall); if necessary, it can be turned by 180° together with the post plates

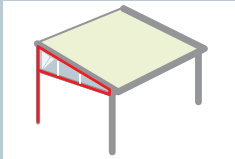
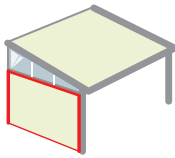
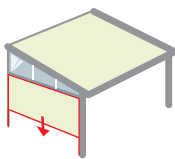
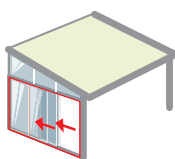
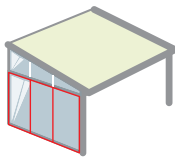
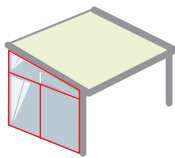


Glazing elements and combinations for the PergoTex II

The PergoTex II pergola awning can be supplemented with weinor glazing elements (GE). The table shows the options and possible combinations of weinor sun protection

systems and glass elements* with the LITE side element (the triangular trapezoidal area below the side channel).

* Further information (special permission if necessary) on our flexible all-glass elements can be found in the separate weinor glazing element product brochure.

	 LITE side element	Maximum wind load in wind strength on the Beaufort scale (wind speed)
 VertiTex with rail guide	●	5 (approx. 35 km/h) Must be opened when there is strong wind to reduce the lateral wind load
 VertiTex with rope guide	●	5 (approx. 35 km/h) Must be opened when there is strong wind to reduce the lateral wind load
 w17-c easy-glide sliding wall	●	6 (approx. 45 km/h) Must be opened when there is strong wind to reduce the lateral wind load
 w50-c fixed element	○	Only at a low pergola awning depth or in a position sheltered from the wind
 Super Lite w50-c fixed element	○	Only at a low pergola awning depth or in a position sheltered from the wind

○ on request
● combinable

Fixed glazing – the weinor w50-c LITE side element

Suitable for the PergoTex II, weinor offers the fixed glazing w50-c LITE ① side element. This side element is suitable for the trapezoidal area up to an angle of 25°.

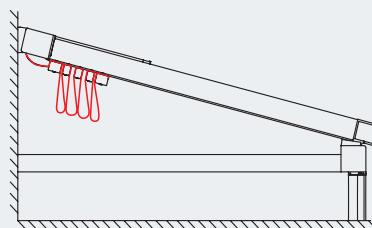
- highly transparent
- two-part retaining section
- no screws in visible areas
- attractively priced
- fixed glazing
- can be combined with w17-c easy-glide sliding wall
- can be combined with VertiTex rail or rope guide
- can be combined with w50-c fixed element on request



Dimensioning of the w50-c LITE side element

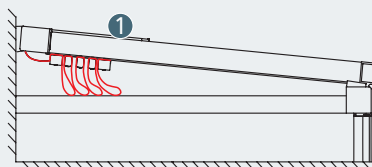
At a low height of the w50-c LITE side element due to a low angle of inclination of the side channels, the fabric of the PergoTex II can rest on the locking bar of the trapezium during the retracting and extending process as well as in the retracted position ①. In the long term, signs of abrasion may occur. By ordering additional transoms, the fabric folding height can be reduced and thus the possibility of the fabric resting on the locking bar of the trapezium minimised ②.

Depending on the projection, up to 4 transoms (2 transoms in the case of the LED option) are possible as supplements.



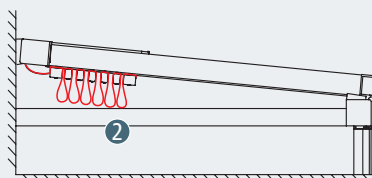
Large pitch of the side channel

The fabric does not rest on the locking bar of the trapezium.



Low pitch of the side channel

The fabric rests on the locking bar of the trapezium (signs of abrasion on the fabric are possible).



Low pitch of the side channel

With additional transoms (fabric folds), the fabric does not rest on the locking bar of the trapezium in the retracted position, since the fabric folding height is reduced by additional transoms.

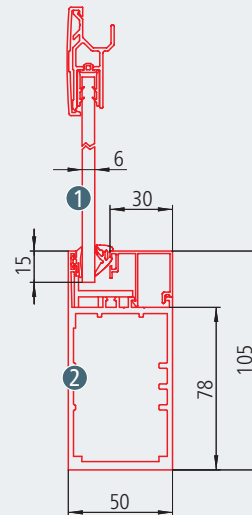
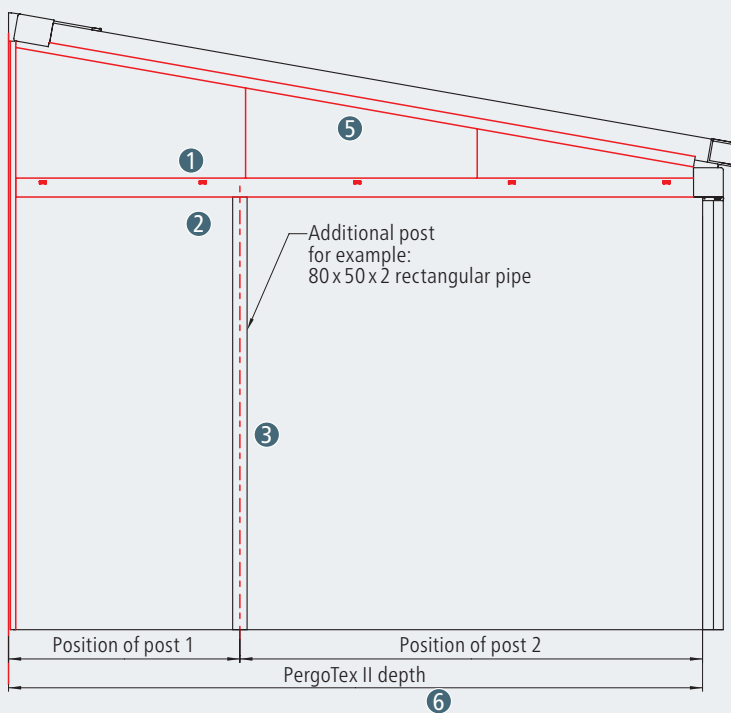
Side element with wind support bracket, steel reinforcement in the locking bar and additional post

The size, surface and weight of the w50-c LITE ① side element result from the pitch of the projection ⑤ and the depth of the PergoTex II ⑥. Depending on the dimensioning of the side element, the additional use of

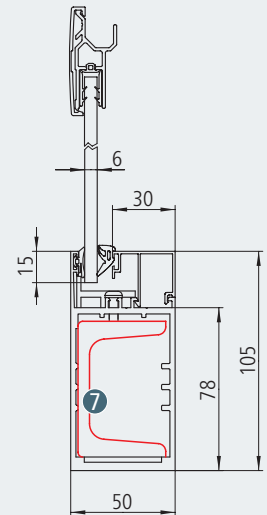
- a steel girder* ⑦ in the locking bar ②,
 - an additional post ③,
 - or a wind support bracket ④
- is required to prevent the locking bar** from being overloaded or to counteract an increased lateral wind load.

* Optionally integrated steel girder in the locking bar (prepared in the factory)
 ** w50-c LITE side element rests on the locking bar

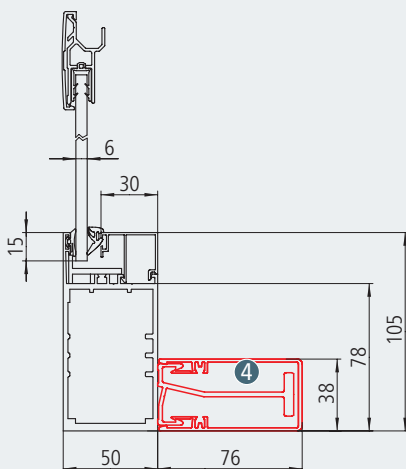
Side element w50-c LITE	Installation of an additional post from a side element width		Installation of a wind support bracket from a side element width
	Without an integrated steel girder	Without an integrated steel girder	With/without an integrated steel girder
Pitch 0° – 15°	> 4000 mm	> 4400 mm	> 3000 mm
Pitch > 15° – 25°	> 3500 mm	> 3800 mm	> 3000 mm



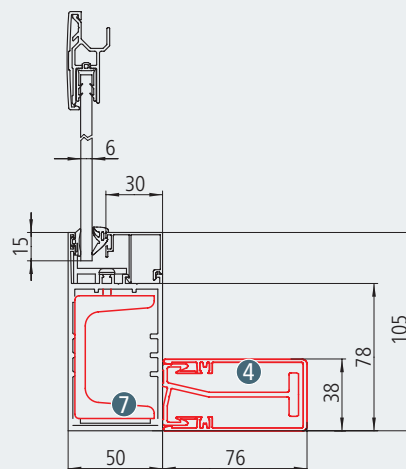
Side element ① and locking bar ②



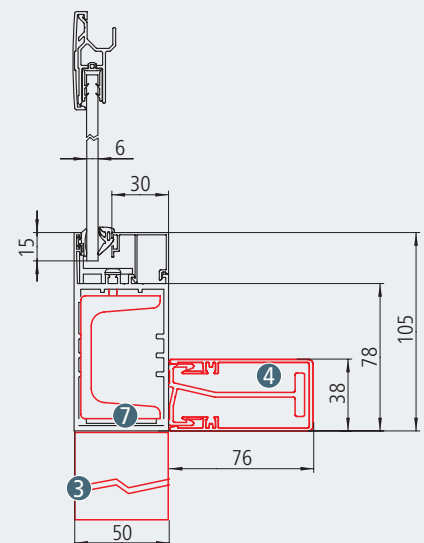
Side element and locking bar with steel reinforcement ⑦



Side element/locking bar with wind support bracket ④



Side element, locking bar with steel reinforcement ⑦ and wind support bracket ④



Side element, locking bar with steel reinforcement ⑦, wind support bracket ④, post (rectangular pipe) ③



reddot design award
winner 2008

VertiTex – weinor vertical sun protection

The weinor VertiTex vertical sun protection offers perfect visual and anti-dazzle protection.

With its small cassette ❶, the VertiTex adapts inconspicuously to the PergoTex II design. The fabric of the polyester, acrylic, Soltis® or Perluca collection provides protection against sun and wind. In addition, the Soltis® and Perluca collections

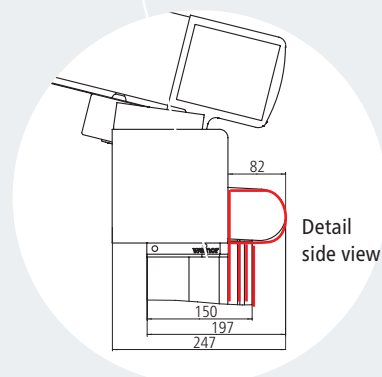
which are translucent from dark to light conditions make it possible to see the environment from the inside.

VertiTex details:

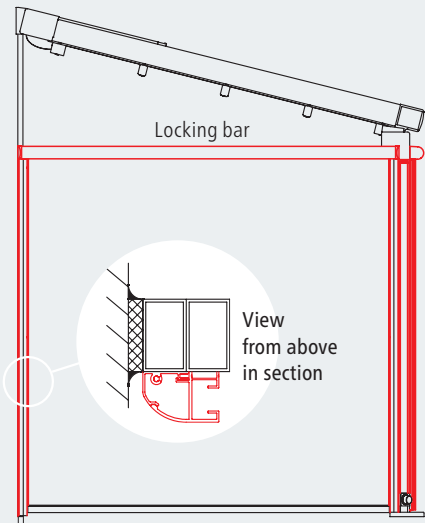
- suitable for large areas (6,000 x 2,400 mm)
- VertiTex to be installed on the guttering for the front side ❷
- VertiTex on the sides ❸
- rope guide or guide rails

Note:

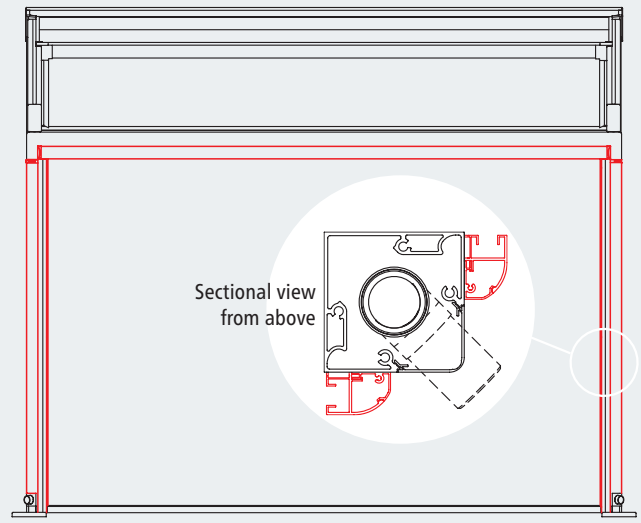
The installation of the VertiTex on the front side of a PergoTex II is easily possible on the guttering and the posts without further additional elements. Lateral VertiTex sun protection systems require a wall-mounted rectangular pipe and the horizontal locking bar or the LITE side element. For further information see the separate VertiTex product brochure.



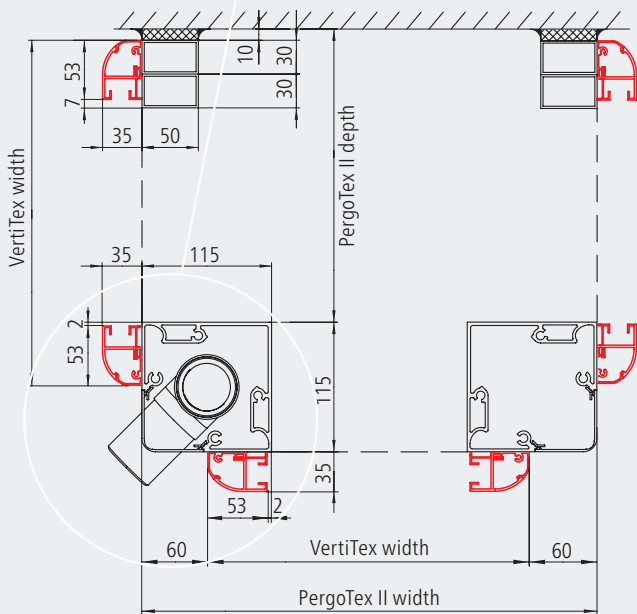
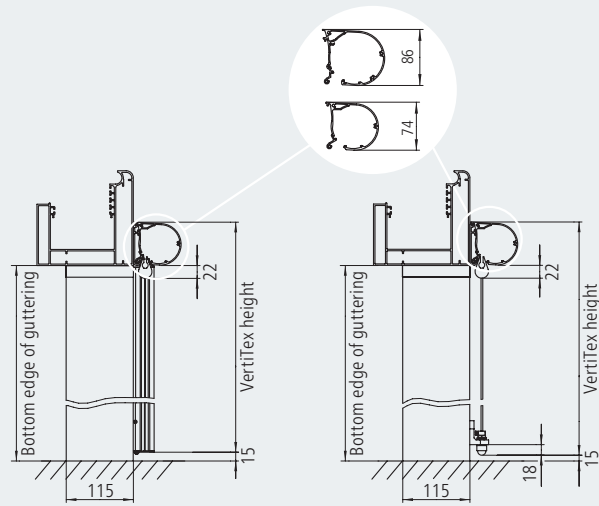
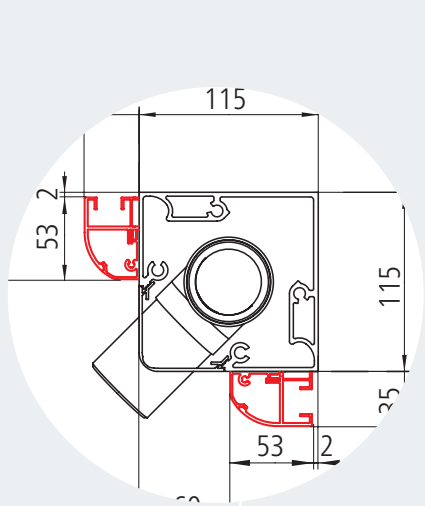
Position of the VertiTex on the guttering and on the posts of the PergoTex II



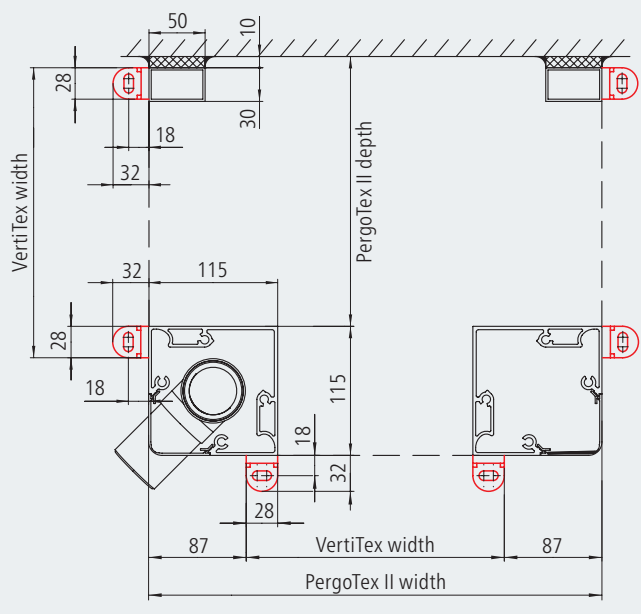
50 x 30 x 3 mm rectangular pipe
Side view



Front view



Top view of the VertiTex rail guide on the PergoTex II (front and side)



Top view of the VertiTex rope guide on the PergoTex II (front and side)

Water drainage for VertiTex with rail guide

Water drainage of the PergoTex II with vertical sun protection (centre post and outside post)

The post and the water drainage are designed in such a way that the

projection of the VertiTex always reaches nearly down to the bottom.

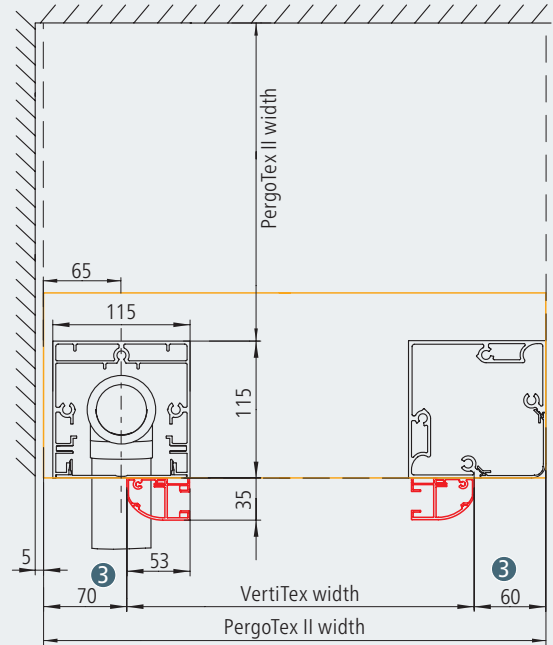
- extra cast parts for one-sided or two-sided VertiTex.



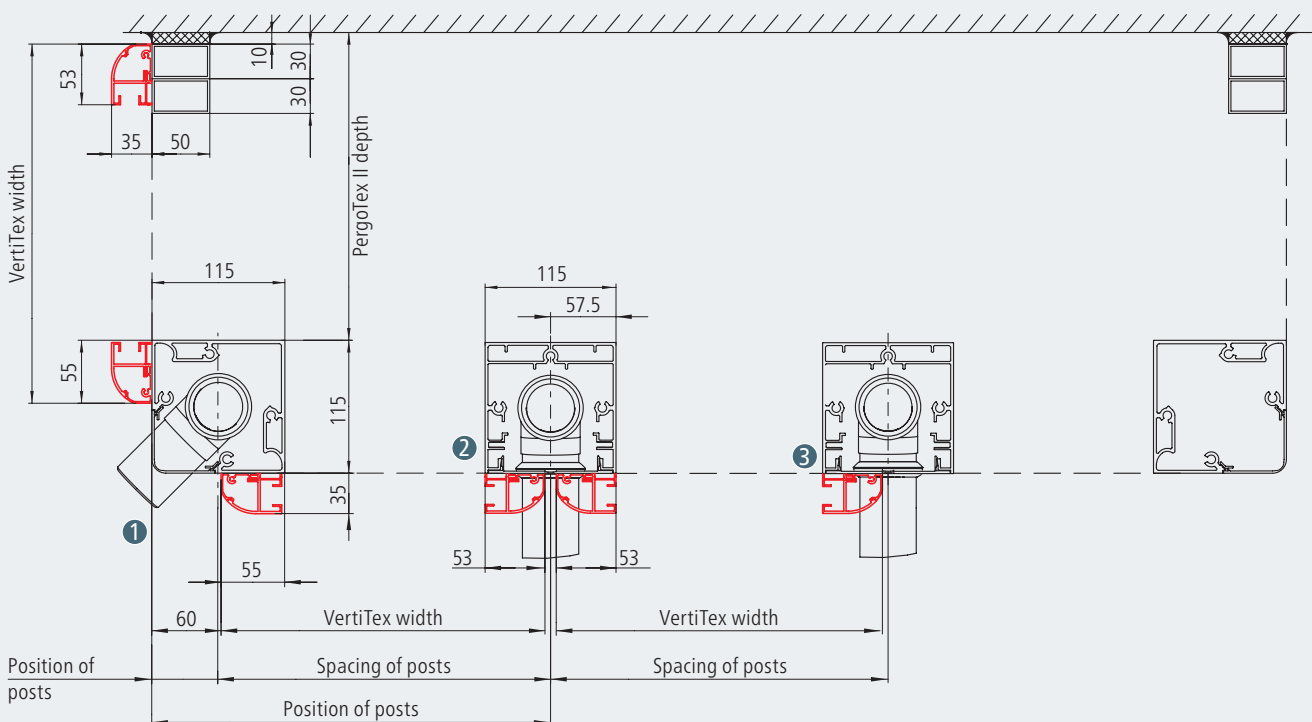
1 Water drainage PergoTex II, outside post with post plate and outside cover cap and 2 VertiTex rail guides

2 Water drainage PergoTex II, centre post with 2 VertiTex rail guides

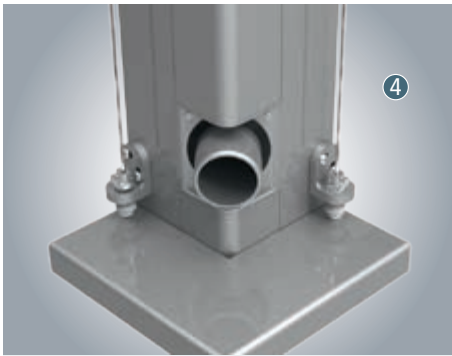
3 Water drainage PergoTex II, centre/wall post with a VertiTex rail guide (left)



Top view of the VertiTex rail guide on the post of the PergoTex II (limited laterally)



Top view of the three VertiTex rail guide units on the centre post of the PergoTex II with drain



Water drainage for VertiTEx with rope guide

Water drainage of the PergoTex II with vertical sun protection (centre post and outside post)

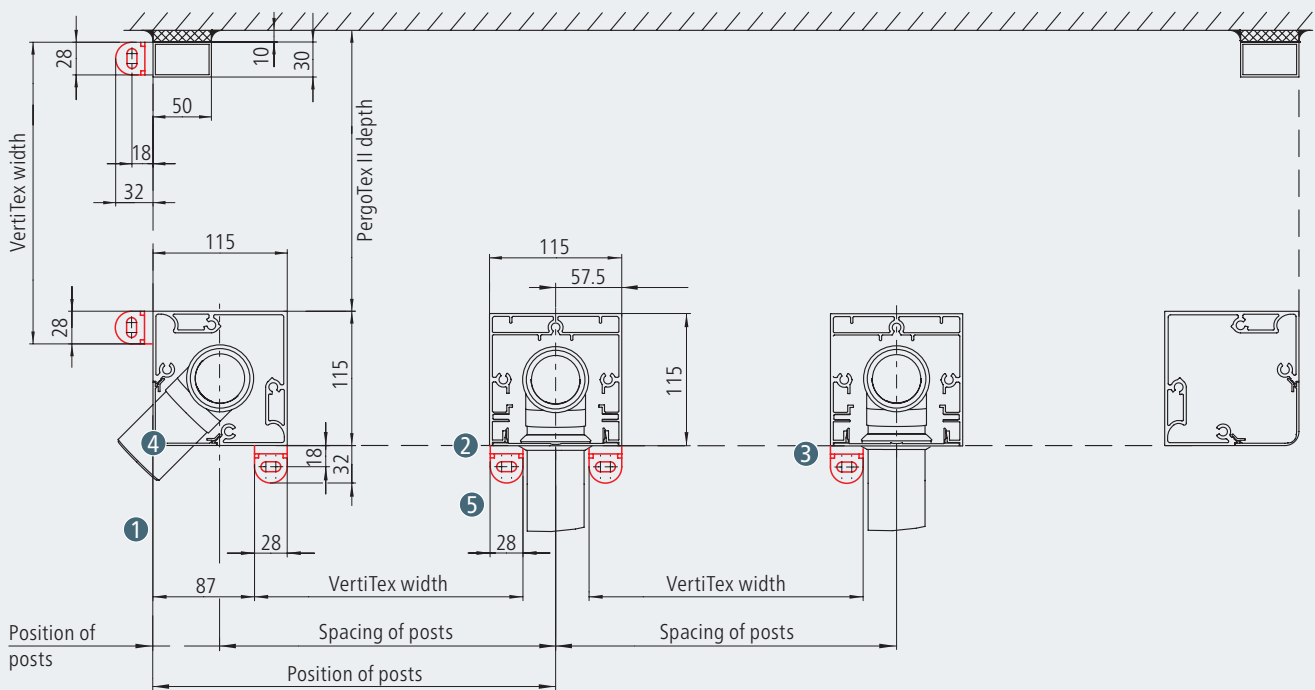
The posts and the water drainage are designed in such a way that the

rope guide of the VertiTEx and the water drainage always reach nearly down to the bottom.



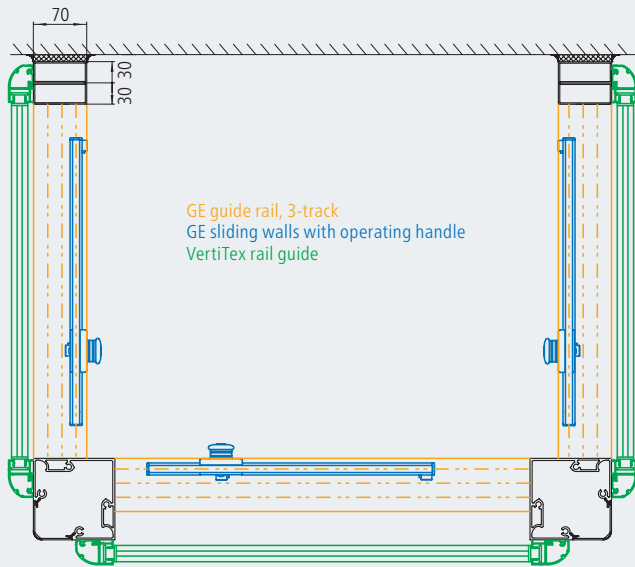
4 Water drainage PergoTex II, outside post with post plate and outside cover cap with 2 VertiTEx rope guides

5 Water drainage PergoTex II, centre post with 2 VertiTEx rope guides

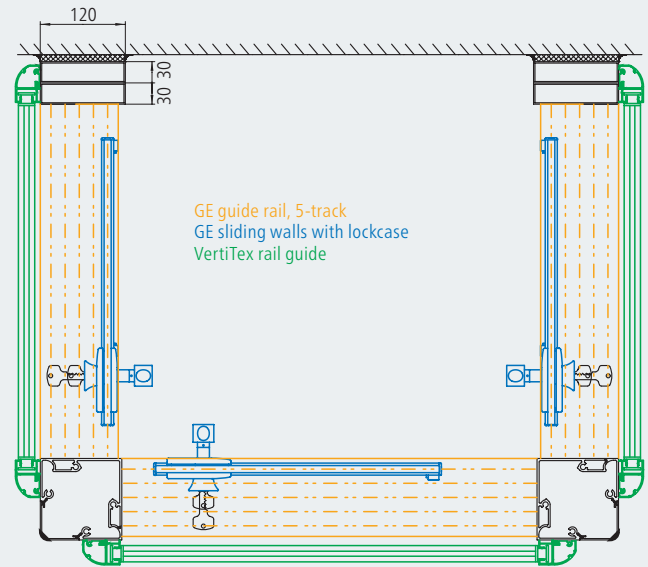


Top view of the three VertiTEx rope guide units on the centre post of the PergoTex II with drain

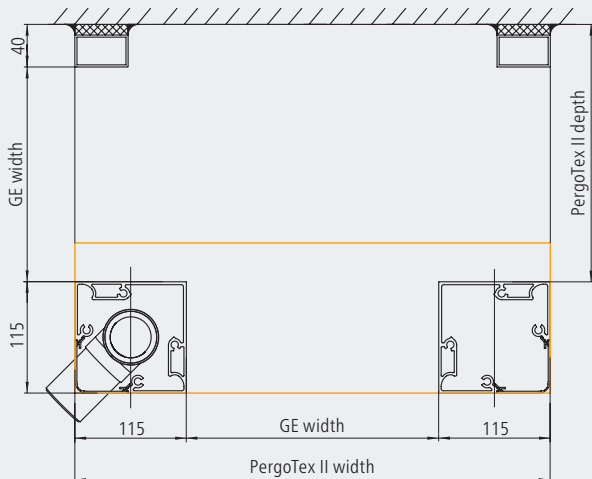
Post positions when using glazing elements and positions of the VertiTex in connection with glazing elements



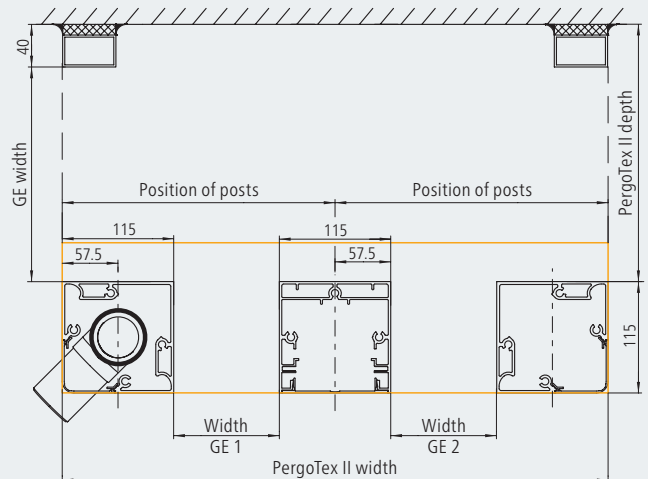
The PergoTex II can be installed without any problems in combination with the w17-c sliding walls and the VertiTex without collision



Position of the VertiTex in connection with 5-track GE with lockcase (optional design) for collision-free functioning



PergoTex II standard configuration with front and lateral position of the GE (the guttering is sketchily shown in orange)



PergoTex II with centre post and front position of the GE (the guttering is sketchily shown in orange)

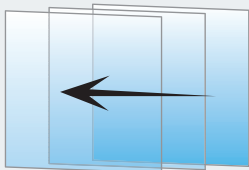


w17-c easy-glide sliding wall

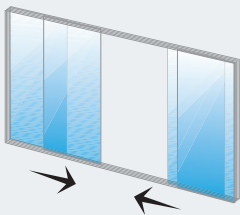
Alongside an all-round view, weinor w17-c all-glass easy-glide sliding walls provide reliable protection against wind and driving rain.

- opens sideways
- actuator for easy closing
- guide profiles with several tracks (2 to 5 depending on the design)
- standing construction
- transparent gap seals between the glass of lockplate systems
- pane packages which can be slid open to the left and right up to 6,600 mm (optional as lockplate design up to 10,000 mm; depending on the number of tracks)
- maximum height of 2,600 mm
- highly resistant to driving rain and windproof

From a wind strength of 6, the glazing elements must be opened completely and the PergoTex II retracted completely so that the wind will find no opportunity to attack. Larger dimensions available on request.



w17-c all-glass easy-glide sliding walls with sliding option



w17-c all-glass easy-glide sliding walls with lockplate option





Multi-section units

The maximum size of a PergoTex II pergola awning with two posts is 7,000 x 6,500 mm. Wider systems can be extended easily to become a multi-section unit by placing 1-unit systems next to each other. The 1-unit systems installed next to each other have a separate motor drive

and can thus be retracted and extended separately. Deliberately dispensing with a continuous fabric facilitates the installation and the units are easy to maintain in the event of servicing or damage.



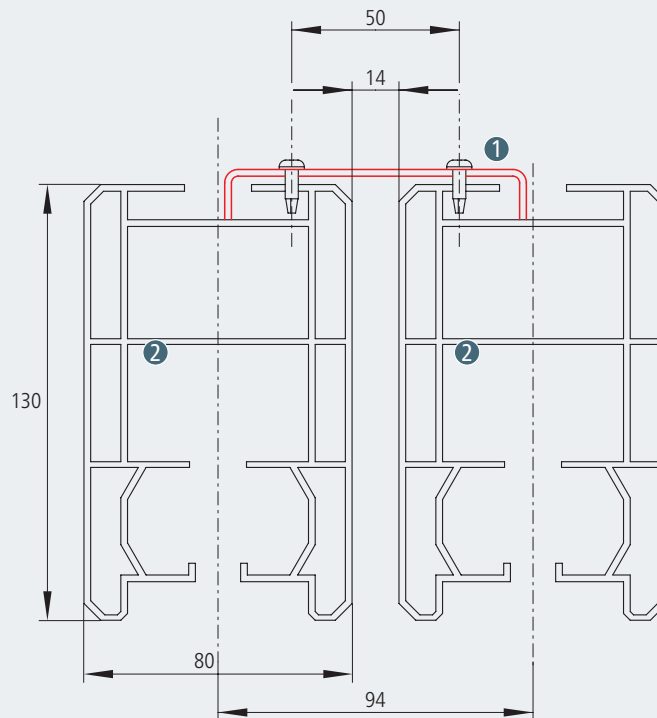
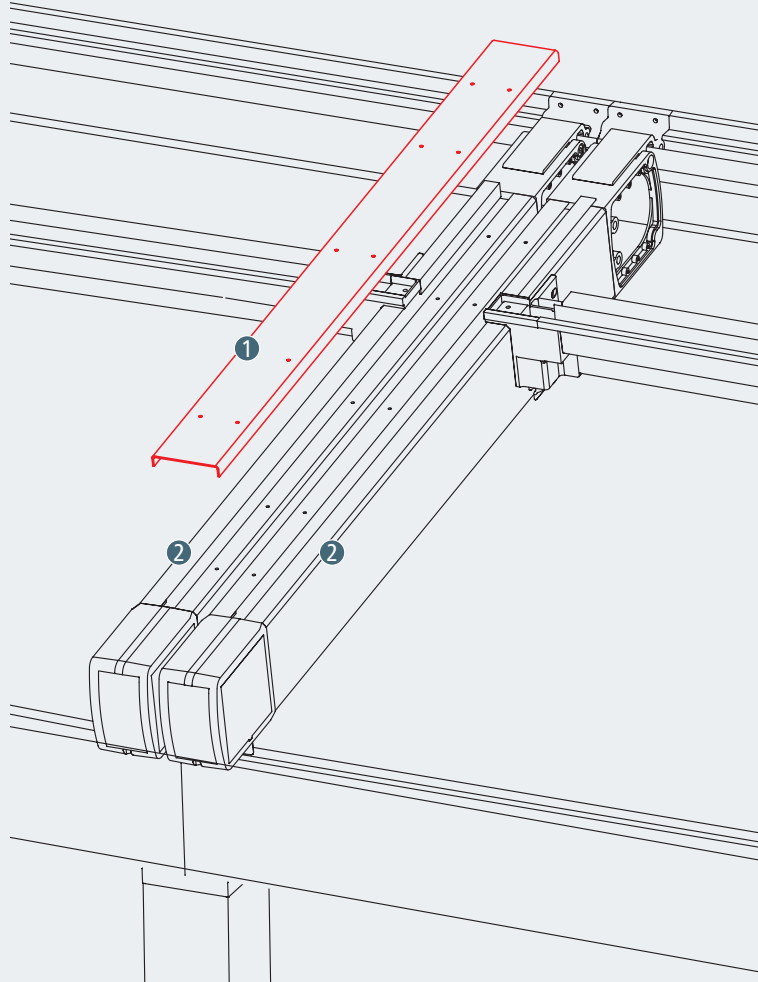
Example of a multi-section unit with different dimensioning (on the left with additional side channel). The maximum unit width with two side channels is 4,500 mm.

Connecting PergoTex II units with the coupling panel

Using the coupling panel ①, the side channels of two units are connected and rain water can be prevented from entering between the units.

Coupling panel ① on two side channels ②

Note: guttering coupling point always without water drainage



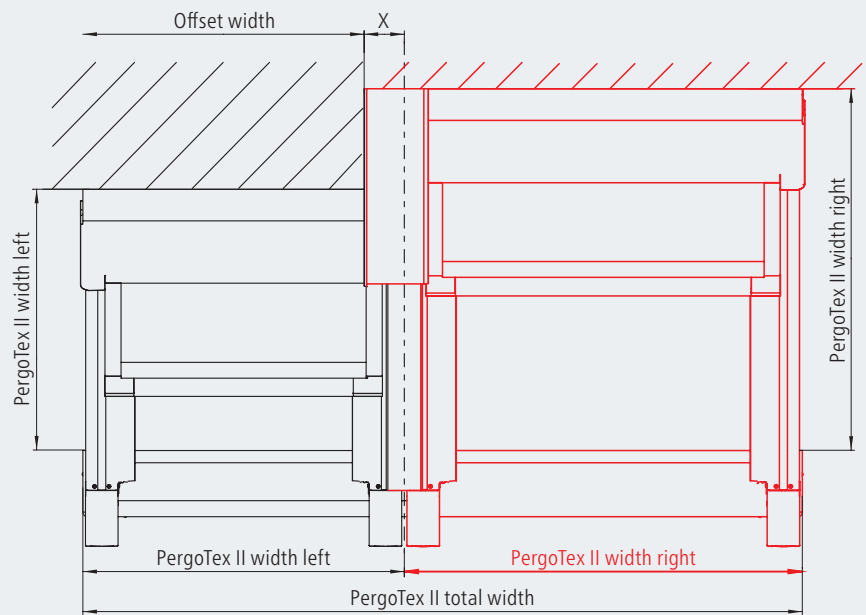
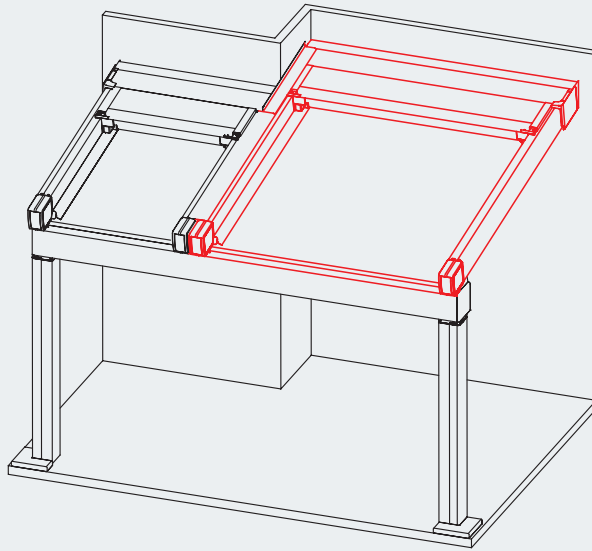
Side channels with coupling panel (profile view)

Multi-section units with offset

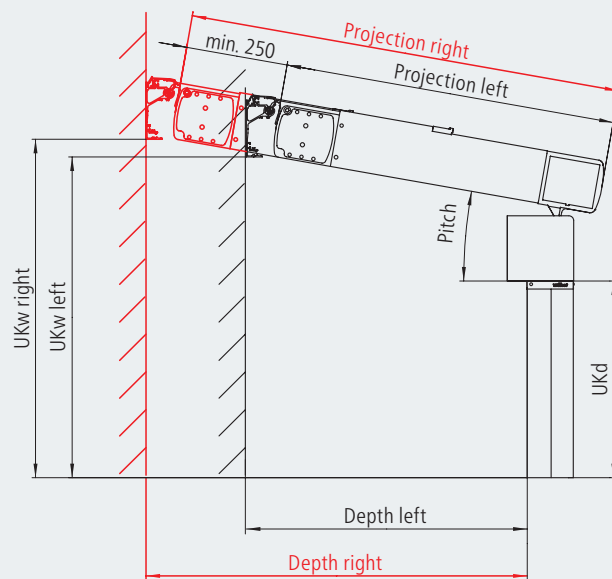
On request, various offset versions can be produced (e.g. wall offset).

Key

x = lateral spacing 5 mm or 100 mm;
weinor recommends installing the drive side of the awning with a spacing of 100 mm to the wall.



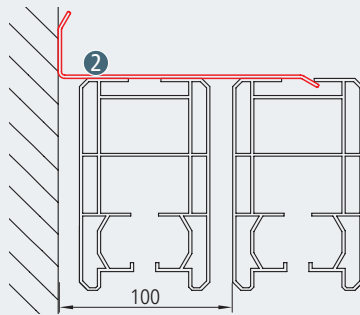
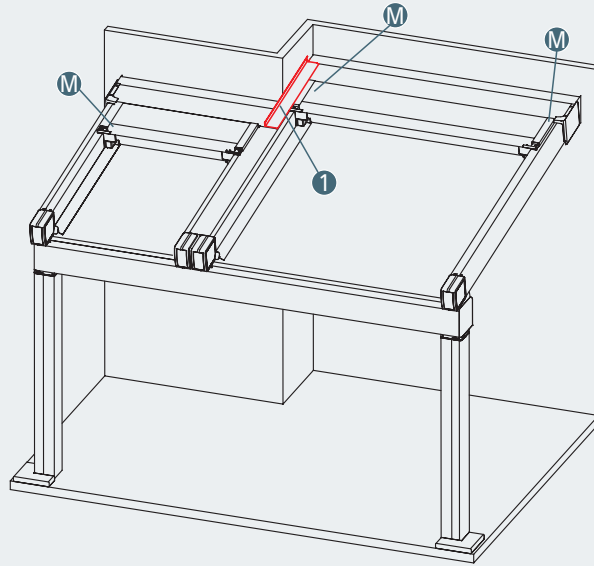
Multi-section unit with offset (top view)



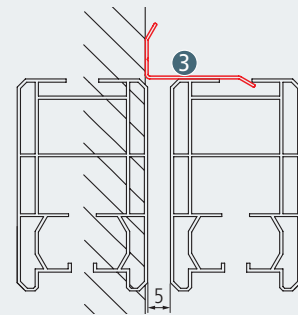
Multi-section unit with offset (profile view)

Gap covering in the wall offset with lateral wall bracket

The lateral wall bracket ① covers the gap between the wall and the unit in the wall offset area and protects against penetrating rain water. The lateral wall bracket ① can be adapted to the structural conditions and cut to the required length.



"Large" lateral wall bracket ②, for unit 2 with drive on the left (M) (lateral spacing of 100 mm)

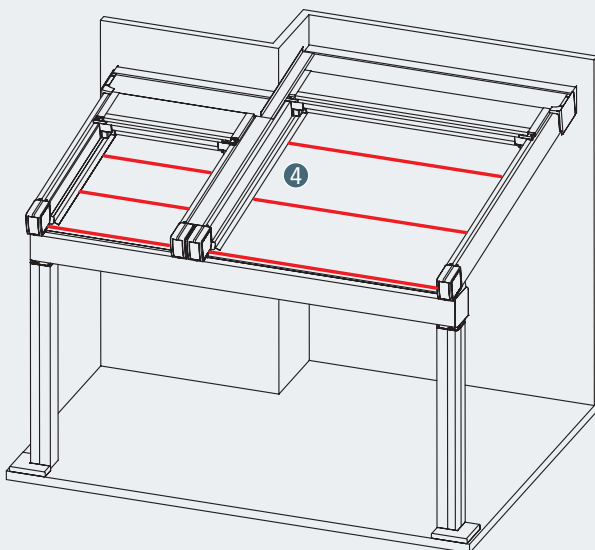


"Small" wall bracket ③, for unit 2 with drive on the right (M) (lateral spacing of 5 mm)

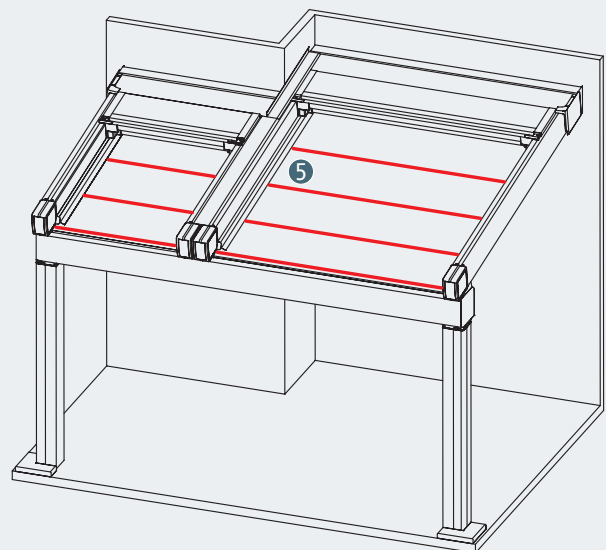
Correction of different stave positions in the case of wall offset

Due to the different depth, the transoms have a different spacing between each other ④. The transoms of the 1-unit systems have different positions when they are extracted.

An adjustment of the stave positions is possible subject to a surcharge ⑤.



Different stave positions in the case of wall offset without adjustment ④



Stave positions in the case of wall offset with adjustment ⑤

Type overview of single-unit and multi-section units

Standard dimensions, post positions and side channel positions

Unit configuration	Drawing (view from above)	Width min.	Width max.	Gutter coupling
Standard 1-unit system		1920	4500	no
1-unit system with 3rd side channel symmetrical		4501	7000	no
1-unit system with 3rd side channel asymmetric		4501	7000 (max. unit width 4999 mm)	no
Multi-section unit symmetrical (Two-part fabric design, 7,000 to 14,000 mm)		7001	9000	yes
Multi-section unit, asymmetric		7001	< 9000	yes
Multi-section unit asymmetric with 3rd side channel in one unit symmetrical		7001	115000	yes

Unit configuration	Drawing (view from above)	Width min.	Width max.	Gutter coupling
Multi-section unit symmetrical with 3rd side channel in two units symmetrical		9001	14000	yes
Multi-section unit asymmetric with 3rd side channel in one unit asymmetric and with 3rd side channel in the other unit symmetrical		9001	14000	yes
Multi-section unit symmetrical with 3rd side channel in one unit asymmetric and with 3rd side channel in the other unit asymmetric		9001	14000	yes
Multi-section unit asymmetric with 3rd side channel in one unit asymmetric and with 3rd side channel in the other unit asymmetric		9001	14000	yes
Multi-section unit symmetrical with 3rd side channel in one unit symmetrical and with 3rd side channel in the other unit symmetrical		9001	14000	yes, twice

Installation of the PergoTex II on the wall using the weinor wall sealing profile



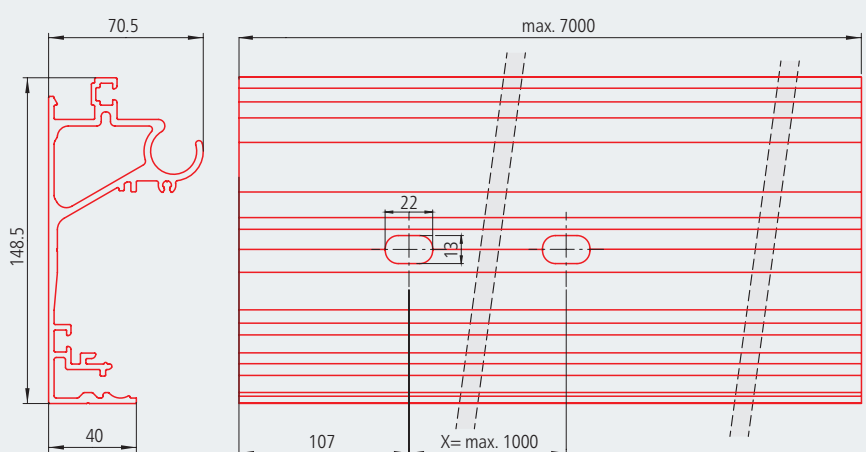
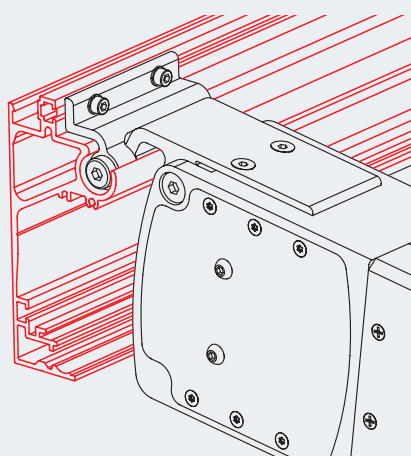
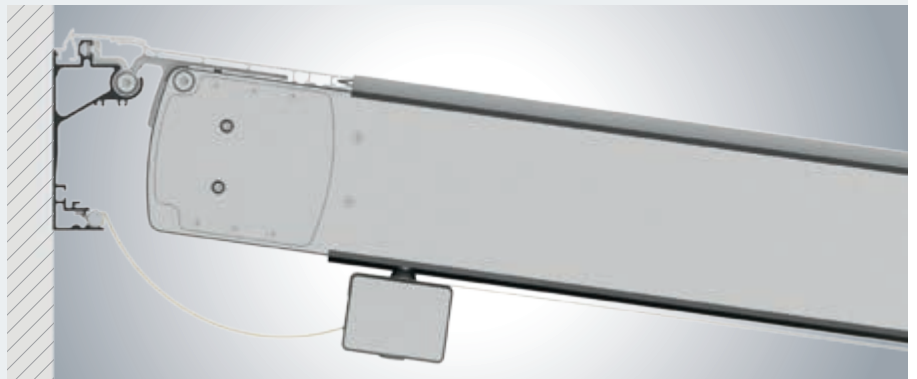
The PergoTex II is installed to a wall* using the wall sealing profile. On the one hand, the wall sealing profile is used for the comfortable, visually appealing and stable installation of the PergoTex II.

On the other hand, the wall sealing profile is the installation location for the remote receiver, the power supply pack (LED option) and other electric components which are installed there so that they are invisible, but can be still accessed easily for servicing.

* For the installation of the PergoTex II on a ceiling, laterally on a wall or in a niche, the wall sealing profile is mounted using angle brackets; see the following chapter: "Angle brackets".



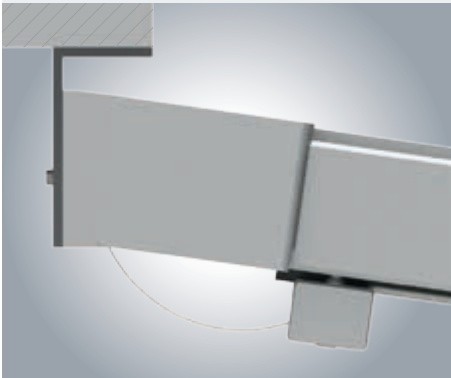
Installation of the PergoTex II on the wall using the wall sealing profile



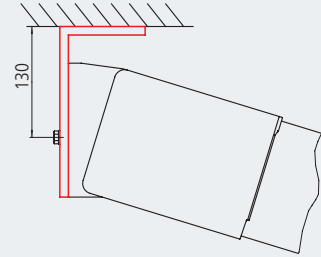
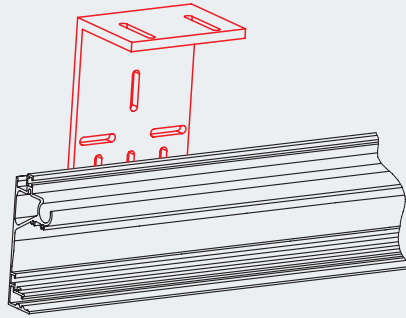
weinor PergoTex II angle brackets

Thanks to the weinor angle brackets, the PergoTex II can be installed easily and in a stable and flexible manner for any structural condition.

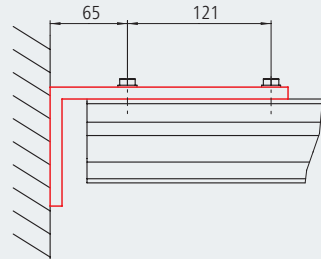
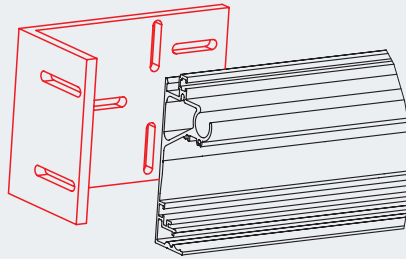
Installation of the PergoTex II on a ceiling, laterally on a wall or in a niche



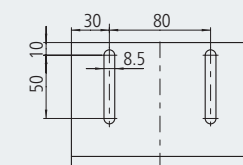
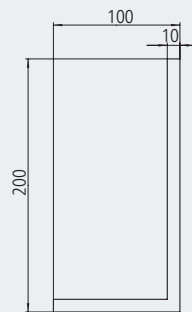
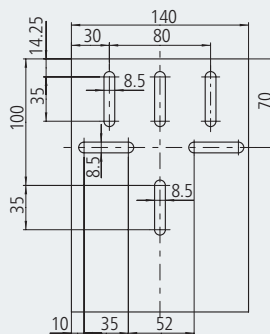
Installation on a ceiling



Installation laterally on a wall or in a niche using the 200 x 100 x 10 x 140 mm angle bracket



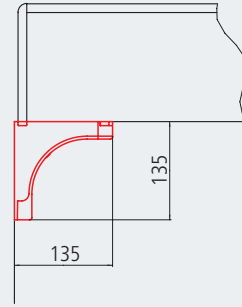
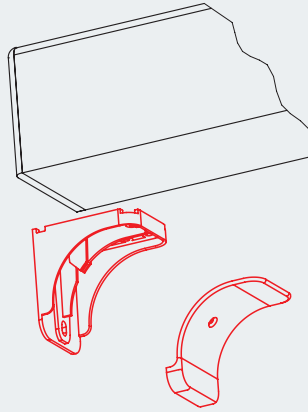
weinor PergoTex II
200 x 100 x 10 x 140 mm angle bracket



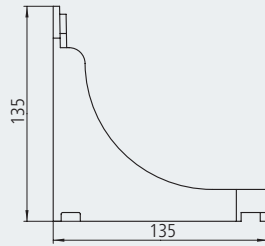
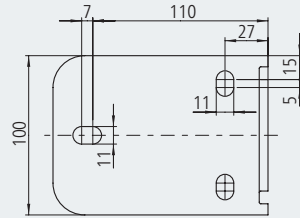
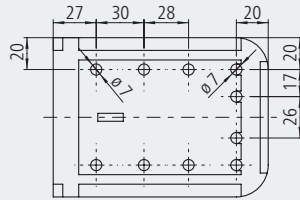
Installation of the PergoTex II guttering laterally on a wall



Installation of the guttering laterally on a wall using the guttering angle bracket

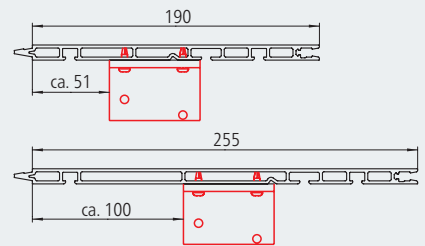
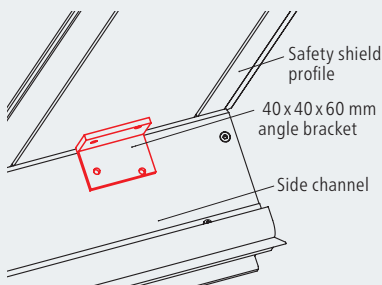


weinor PergoTex II guttering angle bracket



Installation of the safety shield on the safety shield profile from below

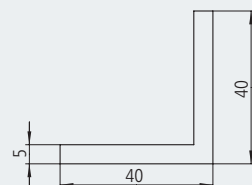
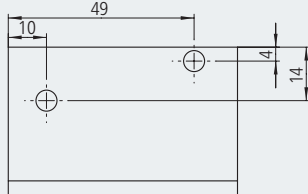
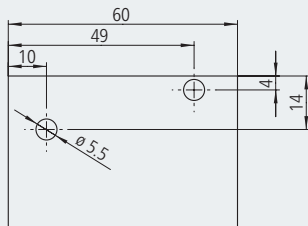
Using the weinor 40 x 40 x 5 x 60 mm angle bracket, it is possible to screw the safety shield to the safety shield profiles from below if there is no space to install it from above (e.g. under a balcony).



Safety shield profiles with 40 x 40 x 5 x 60 mm angle bracket/side view



weinor PergoTex II 40 x 40 x 5 x 60 mm angle bracket

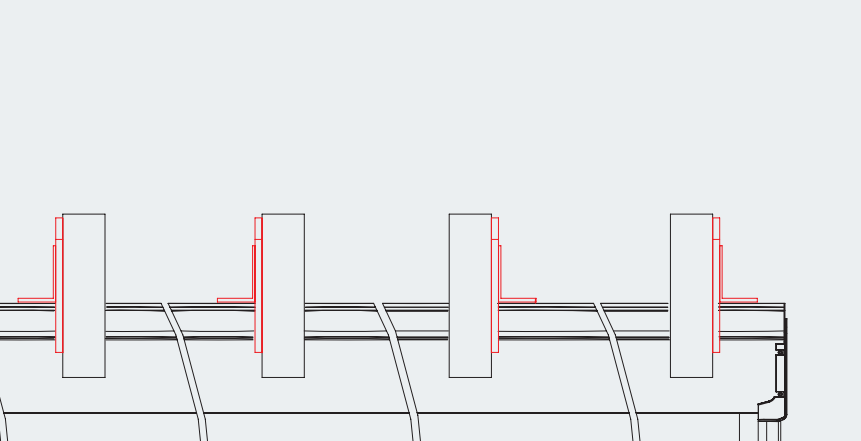
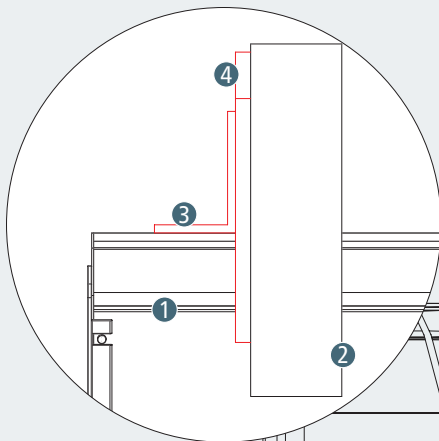
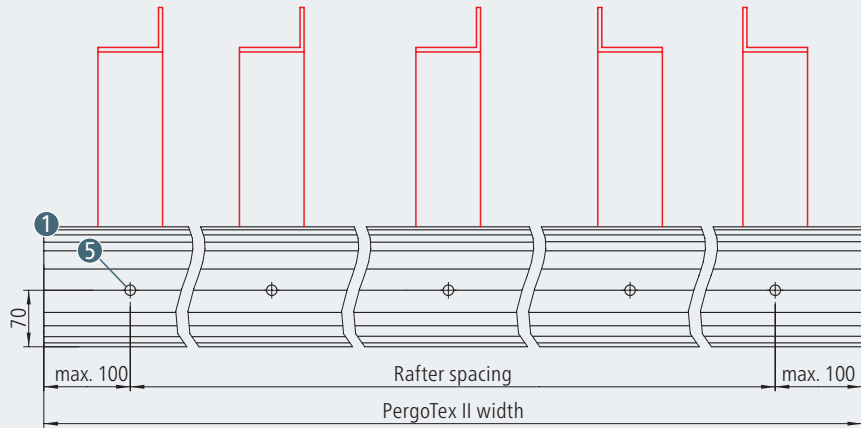
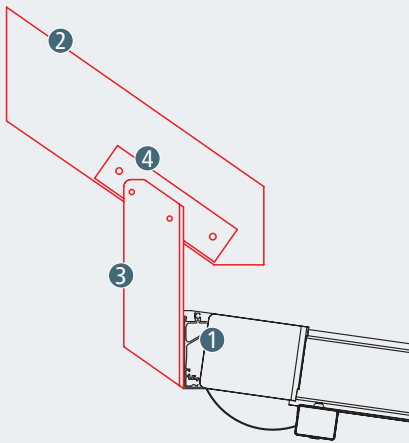
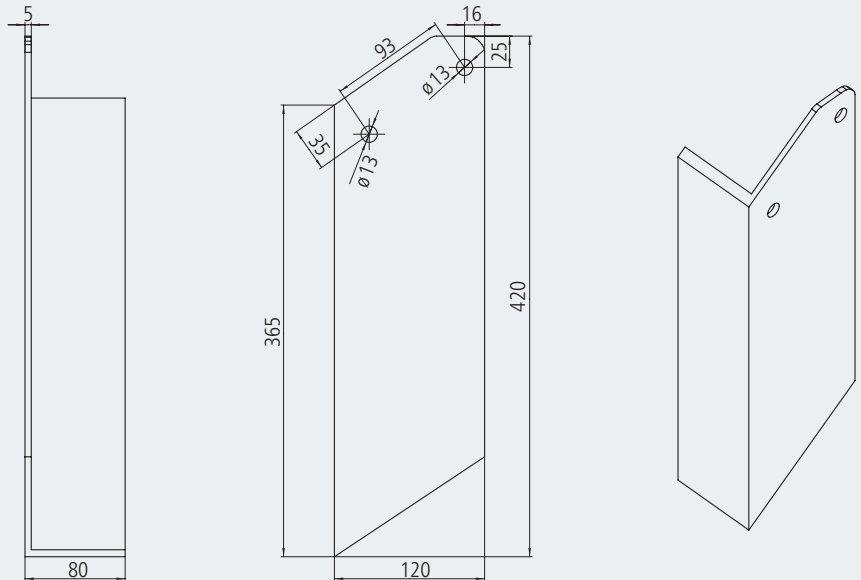


Rafter mounting

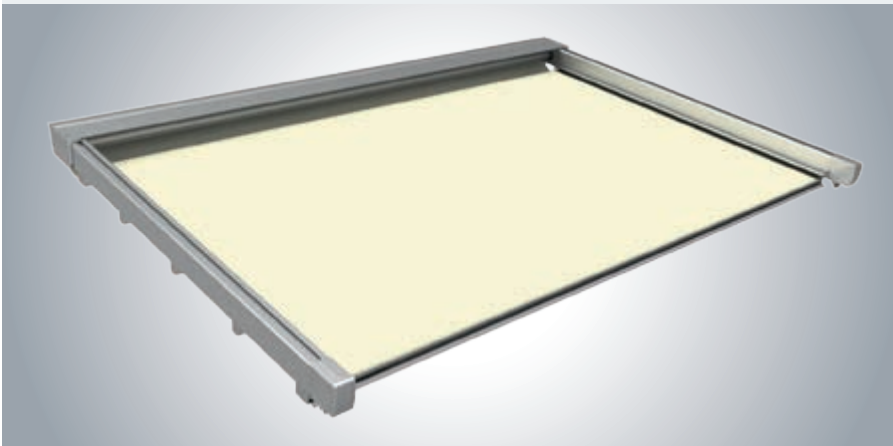
On request, rafter mounting is possible (optional). The wall sealing profile **1** is installed on rafters **2** on site using weinor rafter brackets **3** and mounting plates **4**. In the case of the optional rafter mounting, the

wall sealing profile is delivered without mounting holes pre-drilled in the factory **3***. Mounting holes in the wall sealing profile must be drilled on site according to the rafter spacing.

* No annoying visible mounting holes which are not used. The optional rafter mounting must be specified when placing the order to ensure that the wall sealing profile is delivered without mounting holes **5**.



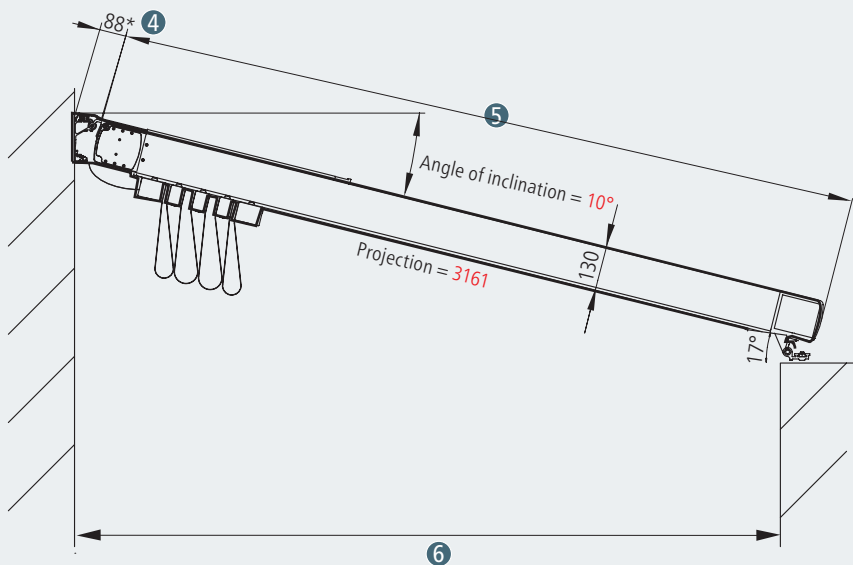
PergoTex II Basic



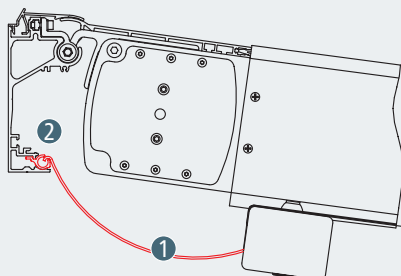
PergoTex II Basic (without posts and guttering)

The weinor PergoTex II Basic is delivered without posts, fabric safety shield and guttering (basic version). It is always the suitable option in particular if the pergola awning is to be placed and installed on existing masonry or on existing posts. Due to its design, it cannot be combined with the VertiTex and the glazing elements, easy-glide sliding wall, LITE side element or fixed glazing.

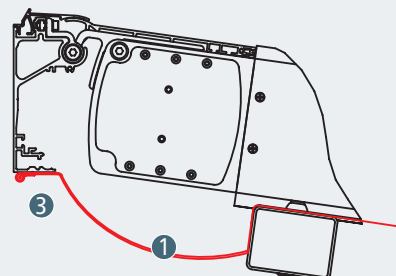
PergoTex II Basic – projection and pitch



Like the PergoTex II, the PergoTex II Basic can also be aligned with an angle of inclination from 0° to 25°. The projection 5 of the PergoTex II Basic is the basis for determining the costs. The basis is a given horizontal patio depth 6, the height of the wall bracket, the angle of inclination or the height of the bottom edge at the front. The projection 5 and dimensions 4 are determined in a similar way to the PergoTex II (as described on page 22).



Fabric end from 0° to 18°



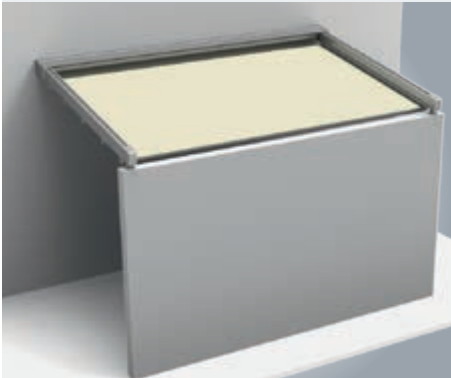
Fabric end > 18° to 25°

For a PergoTex II Basic at an angle of inclination from 0° to 18°, the fabric end 1 is made by welting the fabric in the wall sealing profile 2.

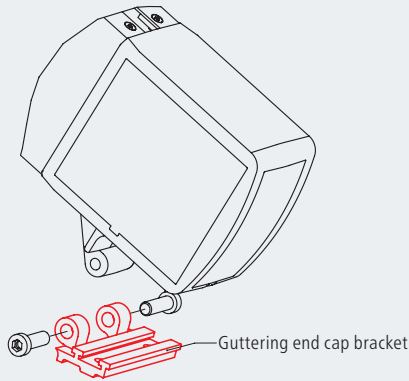
From an angle of inclination > 18° to 25°, the fabric is mounted to the wall sealing profile using a velcro fastener 3.

Installation of weinor PergoTex II Basic (options)

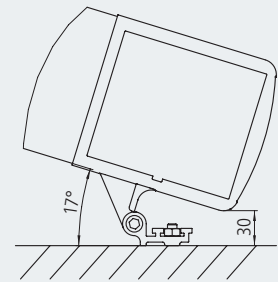
weinor PergoTex II Basic installation on a wall



Example of wall mounting

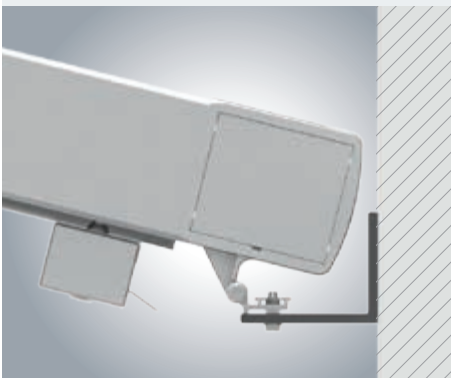


Example of an angle bracket on a wall

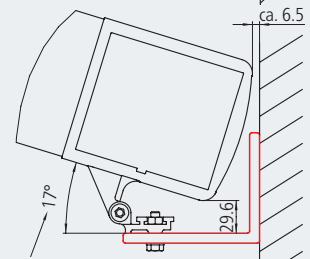
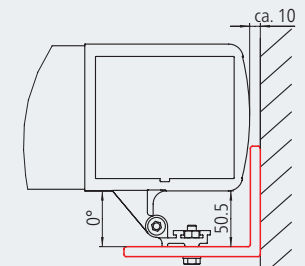
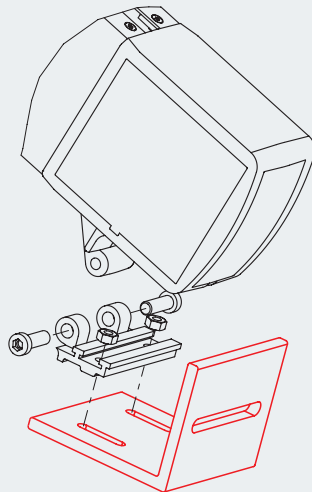


Installation on a wall (profile view)

weinor PergoTex II Basic installation on a wall



Installation on a wall with a 124 x 100 x 9 x 120 mm angle bracket

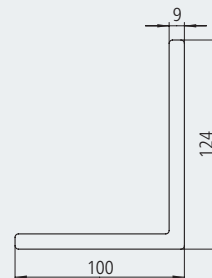
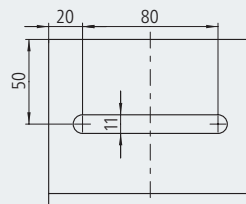
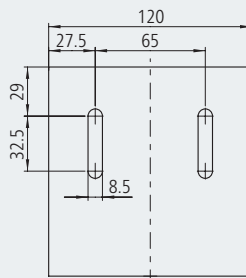


Installation with an angle bracket only possible up to a maximum pitch of 17°

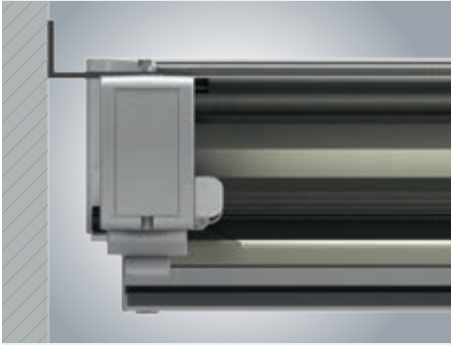
Installation on a wall (profile view)



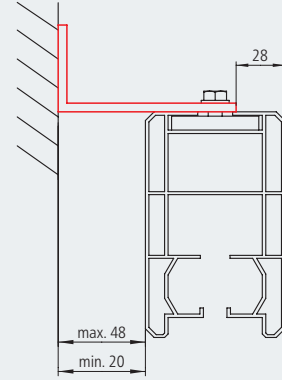
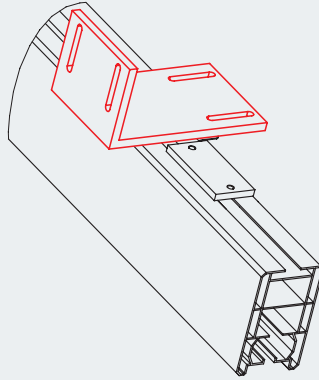
weinor PergoTex II Basic 124 x 100 x 9 x 120 mm angle bracket



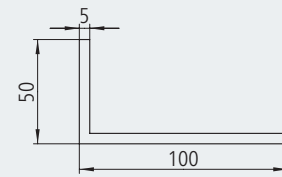
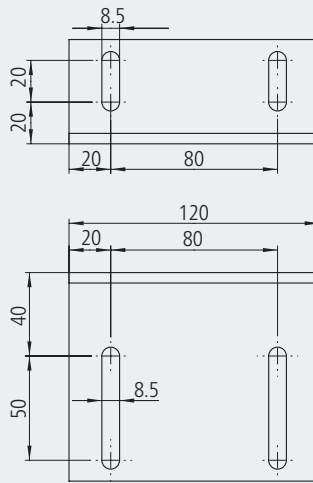
Installation of the PergoTex II Basic laterally on a wall or in a niche



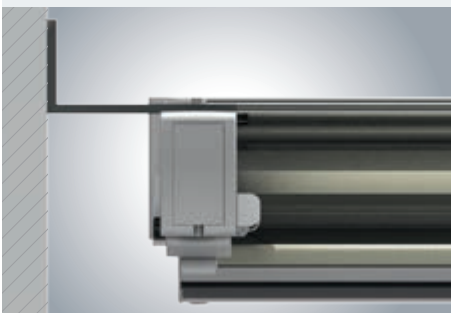
Installation of the PergoTex II Basic in a niche or laterally on a wall using the 100 x 50 x 5 x 120 mm angle bracket



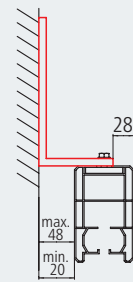
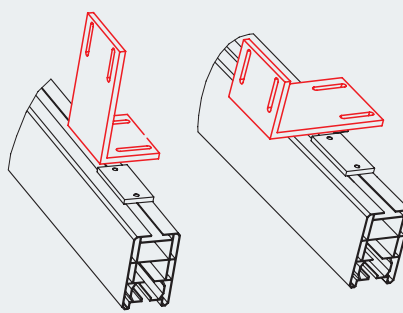
weinor PergoTex II Basic 100 x 50 x 5 x 120 mm angle bracket



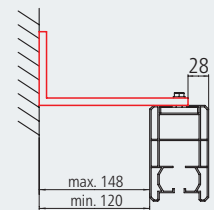
Installation of the PergoTex II Basic in a niche



Installation of the PergoTex II Basic in a niche or laterally on a wall using the 200 x 100 x 10 x 120 mm angle bracket



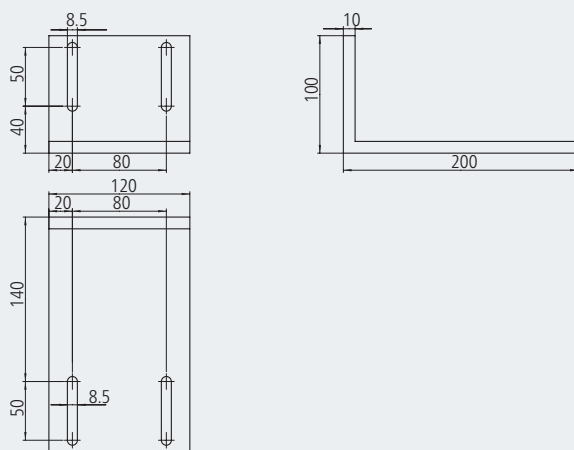
View of vertically aligned angle brackets



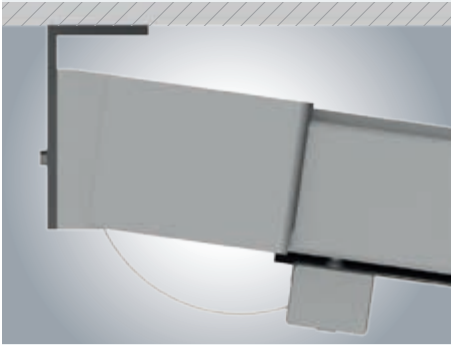
View of horizontally aligned angle brackets



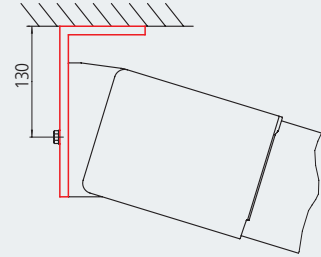
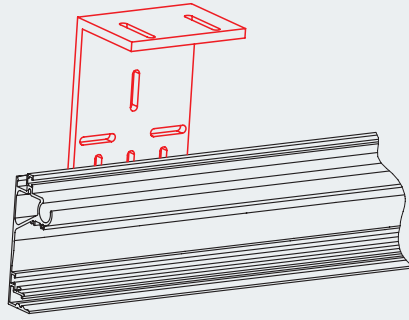
weinor PergoTex II Basic 200 x 100 x 10 x 120 mm angle bracket



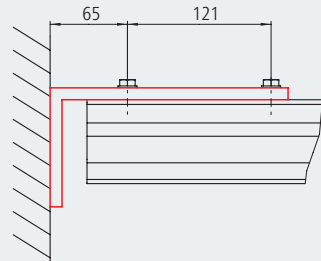
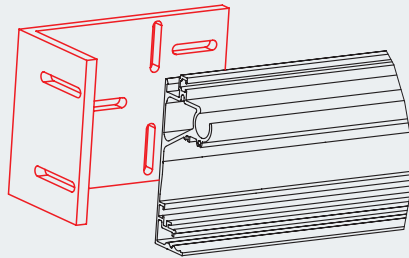
Installation of the PergoTex II Basic under a balcony (ceiling installation), laterally on a wall or in a niche (with larger lateral spacing)



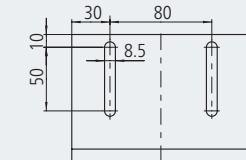
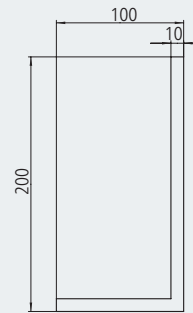
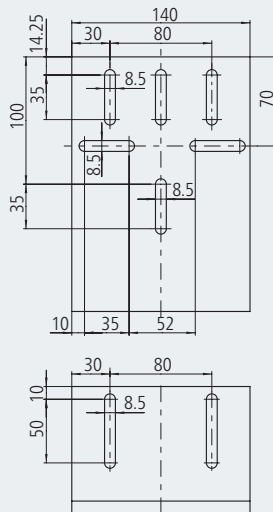
Installation under a balcony (ceiling installation) using the 200 x 100 x 10 x 140 mm angle bracket



Installation of the PergoTex II Basic in a niche or laterally on a wall



weinor PergoTex II Basic
200 x 100 x 10 x 140 mm angle bracket



Awnings



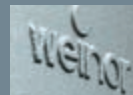
Awning



Awning with Valance Plus and Tempura



Awning with Valance Plus and Paravento



Premium quality
Made in Germany

Textile awning with posts



Pergola awning PergoTex II and Tempura



Pergola awning Plaza Home and Paravento

Customised, systemised solutions

Patio roof and Glasoase®



Glasoase® with conservatory awning and all-glass elements



Patio roof with SUPER LITE fixed glazing



Terrazza patio roof with Sottezza II sun protection



Pergola awning Plaza Pro with Paravento and VertiTex

Patent no			
EP1310609	1541776	EP0916781	0994221
1403442	2072709	EP0959195	1206609
1382770	0745742	EP0942114	1099808

Last revised: 12/2016

The current issue can be found at www.weinor.de/fachpartner/service/downloadcenter